

# Operating and Installation Instructions

## Fridge-Freezer Combination





To prevent accidents and damage to the appliance, you **must** read all instructions supplied before installing for using the appliance.

# Contents

---

<b>IMPORTANT SAFETY INSTRUCTIONS</b> . . . . .	5
<b>Guide to the Appliance</b> . . . . .	11
Included accessories . . . . .	13
Optional accessories . . . . .	13
<b>How to save Energy</b> . . . . .	14
<b>Turning the Appliance On / Off</b> . . . . .	16
Before the first use . . . . .	16
Operating the appliance . . . . .	16
Turning the appliance on . . . . .	16
Turning the appliance off . . . . .	17
Vacation Tips . . . . .	17
<b>The Right Temperature</b> . . . . .	18
. . . in the refrigerator . . . . .	18
Automatic cold air circulation (DynaCool) . . . . .	18
. . . in the freezer . . . . .	18
Temperature display . . . . .	19
Setting the temperature for the refrigerator and freezer . . . . .	19
<b>Using SuperCool in the refrigerator section</b> . . . . .	21
<b>Using SuperCool in the freezer section</b> . . . . .	22
<b>Temperature and Door Alarm</b> . . . . .	23
<b>Additional Settings</b> . . . . .	25
Sabbath mode <b>5</b> . . . . .	25
Safety lock <b>c</b> . . . . .	26
Temperature unit (Fahrenheit or Celsius) <b>a</b> . . . . .	27
Brightness of the display <b>h</b> . . . . .	28
Lower hinge heating control <b>H</b> . . . . .	29
<b>Using the Refrigerator Efficiently</b> . . . . .	30
Different storage zones . . . . .	30
<b>Arranging the Interior - Refrigerator Section</b> . . . . .	32
Adjusting the shelves . . . . .	32
Shelf above the fruit and vegetable drawers . . . . .	32
Fruit and vegetable drawers . . . . .	32
Adjusting the door shelf / bottle shelf . . . . .	33
Adjusting the bottle divider . . . . .	33

<b>Freezing and Storing Food</b> . . . . .	34
Maximum freezing capacity . . . . .	34
Freezing fresh food . . . . .	34
Placing food in the freezer . . . . .	34
Thawing frozen foods . . . . .	35
Cooling drinks quickly . . . . .	35
<b>Making Ice Cubes</b> . . . . .	36
Turning the ice cube maker On . . . . .	36
Setting the water quantity for the ice cube tray <i>E</i> . . . . .	37
<b>Arranging the Interior - Freezer Section</b> . . . . .	39
Freezer drawers . . . . .	39
Adjusting the separators . . . . .	39
Removing the freezer drawer containers . . . . .	40
<b>Defrosting</b> . . . . .	41
Refrigerator section . . . . .	41
Freezer section . . . . .	41
<b>Cleaning and Care</b> . . . . .	42
Cleaning agents . . . . .	42
Before cleaning . . . . .	43
Cleaning the interior and accessories . . . . .	43
Door seal . . . . .	43
Ventilation slits . . . . .	43
Cleaning the air filter  . . . . .	44
Resetting the air filter indicator  <i>n</i> . . . . .	45
<b>Frequently asked questions</b> . . . . .	46
<b>Noises</b> . . . . .	54
<b>After sales service</b> . . . . .	55
Warranty . . . . .	55
<b>Caring for the environment</b> . . . . .	58
<b>Installation Information</b> . . . . .	59
Location . . . . .	59
Climate class . . . . .	60
Installation niche . . . . .	60
Niche floor . . . . .	60
Adjacent furniture/units . . . . .	60
Door hinge . . . . .	60
Proper ventilation . . . . .	61

# Contents

---

<b>Installation Dimensions</b> . . . . .	62
Opening angle of the door . . . . .	63
<b>Niche Dimensions</b> . . . . .	64
<b>Door Swing Clearance</b> . . . . .	65
<b>Planning the Water Connection</b> . . . . .	66
<b>Information Concerning the door panel</b> . . . . .	67
Inset installation . . . . .	67
Frameless installation . . . . .	68
<b>Installing the Appliance</b> . . . . .	69
Installing the Appliance . . . . .	69
Installing the anti-tip brackets . . . . .	69
Installation of the anti-tip bracket in a cabinet with a depth greater than 25" (635 mm). . . . .	71
Fastening the covers . . . . .	71
Pushing the appliance into the niche . . . . .	72
Aligning the appliance . . . . .	72
Securing the appliance in the niche . . . . .	73
Aligning the appliance door . . . . .	73
Aligning the drawer front . . . . .	74
Install the base cover with the ventilation slits . . . . .	74
Removing the mounting rails . . . . .	76
Installing the mounting rails on the door panel . . . . .	77
Installing the door panel on the appliance door . . . . .	77
Aligning the door panel . . . . .	78
Installing the door panels on the freezer drawers . . . . .	81
<b>Plumbing</b> . . . . .	82
Information regarding the water connection . . . . .	82
Connecting the water supply . . . . .	83
<b>Electrical connection</b> . . . . .	86
<b>Contact details</b> . . . . .	91

# IMPORTANT SAFETY INSTRUCTIONS

**When using the appliance, follow basic safety precautions, including the following:**

**Read all instructions before installation and use to prevent accidents and machine damage.**

This appliance complies with all applicable safety laws and regulations. However, improper use can result in personal injury and material damage.

Before using the appliance for the first time, carefully read the operating and installation instructions. They contain important information on installation, safety, operation and care. This will protect you from injury and prevent damage to the appliance.

Miele will not be held liable for damage caused by failure to comply with these instructions.

Keep the instructions in a safe place and pass them along to any future owner



**Risk of injury!**

This appliance is very heavy and can tip forwards when the door is open. Keep the appliance door shut until the appliance has been installed and secured in accordance with these operating and installation instructions.

## Intended use

► This appliance is intended for use in domestic households and similar residential environments.

This appliance is not intended for outdoor use.

► This appliance is intended to be used only for the cool storage of food and drink as well as for storing frozen food, freezing fresh food and for making ice under normal household conditions.

All other use occurs at the owner's own risk and may be dangerous.

► The appliance is not suitable for storing and cooling medicines, blood plasma, laboratory preparations or other such materials or products. Improper use of the appliance can cause deterioration and spoilage of the stored items. The appliance is not suitable for use in areas where there is a risk of explosion.

Miele will not be held liable for damage resulting from incorrect or improper use or operation.

► Persons who lack physical, sensory or mental abilities, or experience with the appliance should not use it without supervision or instruction by a responsible person.

# IMPORTANT SAFETY INSTRUCTIONS

---

## Safety with children

- ▶ Children under 8 years of age must be kept away from the appliance unless they are constantly supervised.
- ▶ Children ages 8 and up may only use the appliance unsupervised if they have been shown how to use it in a safe manner, and if they are able to recognize and understand the potential risks of improper use.
- ▶ Children must not be allowed to clean or service the appliance without supervision.
- ▶ Please supervise any children in the vicinity of the appliance and do not let them play with it.
- ▶ Danger of suffocation. Ensure that any packing material is disposed of safely and kept out of the reach of children.

## Technical safety

- ▶ The cooling system has been checked for leaks. This appliance complies with all applicable local and national safety requirements.
- ▶ This appliance contains the coolant isobutane (R600a), a natural gas which is environmentally friendly. Although it is flammable, it does not damage the ozone layer and does not increase the greenhouse effect.

The use of this coolant has, however, led to a slight increase in the noise level of the appliance. In addition to the noise of the compressor, you might be able to hear the refrigerant flowing throughout the system. Though this is unavoidable, it does not have any adverse effect on the performance of the appliance.

Care must be taken during the transport and installation/setup of the appliance so that no parts of the cooling system are damaged. Leaking coolant can damage the eyes. In the event of any damage:

- Avoid open flames and anything that creates sparks,
- Disconnect the appliance from the power supply,
- Ventilate the room in which the appliance is located for several minutes,
- Contact Miele.

▶ The more coolant there is in an appliance, the larger the room it should be installed in. In the event of a leakage, there is a danger of combustible gases building up if the appliance is in too small of a room. For every 8 g of coolant, at least 1 m<sup>3</sup> of room space is required. The amount of coolant contained in the appliance is stated on the data plate inside the appliance.

# IMPORTANT SAFETY INSTRUCTIONS

- ▶ To protect the refrigerator from possible damage, take care that it always remains in an upright position. Any time it is moved or installed, always let it stand for 30 to 60 minutes before plugging it in. This allows the coolant and lubricant to settle down, which is essential for proper operation.
- ▶ Before connecting the appliance, make sure that the connection data on the data plate (fuse rating, voltage and frequency) matches the power supply. This data must correspond in order to avoid damage to the appliance. If in doubt, consult a qualified electrician.
- ▶ The electrical safety of this appliance can only be ensured if it has been properly grounded in compliance with the applicable safety regulations. It is most important that this basic safety requirement is observed. If there is any doubt contact a qualified electrician.
- ▶ The electrical safety of this appliance can only be ensured if it has been properly grounded in compliance with the applicable safety regulations. It is most important that this basic safety requirement is observed. If there is any doubt about the grounding of your household wiring, have it inspected by a qualified electrician.
- ▶ Do not connect the appliance to the electrical supply with a power bar or extension cord. These are a fire hazard and do not guarantee the required safety of the appliance.
- ▶ Do not use the appliance in areas where there may be moisture or splashing water (e.g. garages, laundry rooms, etc.)  
Moisture can reach the electrical components and cause a short circuit.
- ▶ This appliance is not to be used in mobile locations such as ships.
- ▶ A damaged appliance can be dangerous. Before installing the appliance, check for visible damage. Do not operate a damaged appliance.
- ▶ To ensure safe operation, use the appliance only when it is fully installed.
- ▶ Ensure the appliance is disconnected from the power supply during installation, maintenance and repair work or work on the water supply. The appliance is only completely disconnected from the electrical supply when:
  - the respective circuit breaker is tripped,
  - the respective fuse is removed, or
  - the power cord is unplugged.  
Pull on the plug and not on the cord when removing it from the outlet.
- ▶ Improper installation, repair and maintenance work or work on the water supply can be dangerous for the user of the appliance. Installation, repair and maintenance work or repairs on the ice cube maker should only be performed by a Miele authorized technician.
- ▶ Repairs not performed by a Miele authorized service technician will void the warranty.

# IMPORTANT SAFETY INSTRUCTIONS

---

▶ Only with original Miele parts can the manufacturer guarantee the safety of the appliance. Defective components should only be replaced with parts from Miele.

▶ Miele will not be held liable for damage resulting from a faulty connection to the water supply.

▶ The ice cube maker is not intended to be used with a hot water supply line.

## Proper use

▶ The appliance is designed for use within a certain climate range (room temperature range) and should not be used outside this range.

The climate range is specified on the data plate inside the appliance. If the room is too cold, it will cause the cooling system to remain off for too long so that the temperature in the appliance rises.

▶ **WARNING!** Danger of damage from overheating. May restrict operation. Keep ventilation openings, in the appliance enclosure or in the built-in structure, clear of obstruction.

▶ If greasy foods are stored on the appliance or the appliance door, make sure that no oil or grease leaks onto the plastic parts of the appliance. This can cause the plastic to crack and break.

▶ Never store explosive materials or products with flammable propellants (spray cans, for example) in the appliance. The electric components can ignite the flammable gas. Fire and explosion hazard!

▶ Do not operate any electrical devices in the appliance (ice cream maker, for example). This could cause sparking. Risk of explosion!

▶ Do not use the freezer section for storing cans or bottles that contain carbonated beverages or liquids that could freeze. The cans or bottles could burst.  
Risk of personal injury or damage to the appliance!

▶ Bottles that are put in the freezer for quick cooling must be removed within one hour. Otherwise, they could burst. Risk of injury and damage to the appliance!

▶ Do not handle frozen items or metal parts when your hands are wet. Your hands could freeze to the items. Risk of injury!

▶ Never put ice or popsicles in your mouth immediately after taking them out of the freezer. Your lips or tongue could freeze to the item. Risk of injury!

▶ Never re-freeze partially or completely thawed food. Thawed food should be used promptly, before it loses nutritional value or spoils. However, once it has been cooked, thawed food can be refrozen.

▶ Eating food stored for too long can cause food poisoning.

The storage life depends on many factors, including the quality of the food, how fresh it is, and the storage temperature. Always observe the food producer's recommended storage instructions and best before dates.



# IMPORTANT SAFETY INSTRUCTIONS

---

- ▶ Use only original Miele parts. Adding or installing other parts will void any warranty and/or product liability claims.

## Cleaning and care

- ▶ Do not use any oil or grease on the door seals. They can cause the seals to deteriorate over time.

- ▶ Never use a steam cleaner to clean the appliance. The steam can reach the electrical components and cause a short circuit.

- ▶ Never use a pointed or sharp-edged object to

- remove frost or ice,
- or to detach food items frozen to the walls.

This will damage the evaporators, causing irreversible damage to the appliance.

- ▶ Never place candles or electric heaters in the appliance to defrost it. This will damage the plastic.

- ▶ Do not use defrosting sprays or de-icers. They may contain substances that can damage the plastic or that could cause a build-up of explosive gasses or pose a health hazard.

## Transport

- ▶ Always transport the appliance in an upright position and in its original transport packaging to avoid damage in transit.

- ▶ Due to the size and weight of the appliance, it must be transported by two people. Danger of injury and damage!

## California Proposition 65

- This product can expose you to chemicals including vinyl chloride, which is known to the State of California to cause cancer and birth defects or other reproductive harm. For more information go to [www.P65Warnings.ca.gov](http://www.P65Warnings.ca.gov).

# IMPORTANT SAFETY INSTRUCTIONS

---

## Disposal of your old appliance

▶ Risk of suffocation. Children playing can shut themselves in and suffocate.

- Take the door(s) off.
- Remove the drawers.
- Leave the storage shelves in the appliance so that children cannot easily climb into the appliance.

▶ Danger of electric shock

- Cut off the plug from the power cord and discard.
- Cut off the power cord from the discarded appliance. Dispose of separately from the appliance.

▶ Ensure during and after disposal that the appliance isn't stored in the vicinity of gasoline or other flammable vapors and liquids.

▶ When disposing of the appliance, ensure that the refrigeration circuit is not damaged to prevent uncontrolled escape of the coolant it contains (data on type plate) and oil.

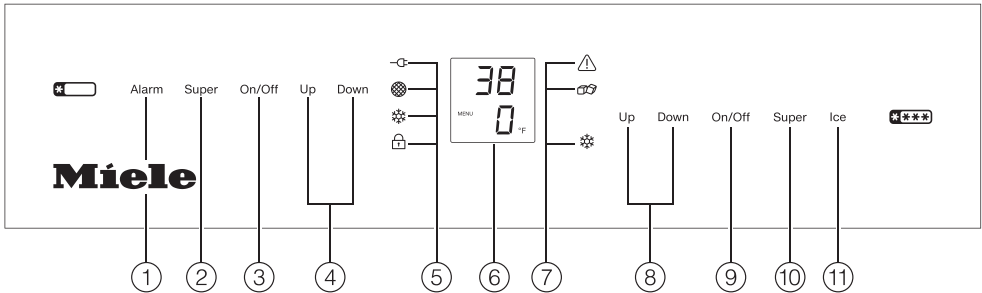
▶ Be careful not to damage any part of the cooling system, for example by:

- Puncturing the refrigerant channels in the evaporator,
- Bending any pipework, or
- Scratching the surface coating.

Refrigerant spurting out of the cooling system can damage the eyes.

**SAVE THESE  
INSTRUCTIONS AND  
PASS THEM ON TO ANY  
FUTURE USER**

## Control panel



### Refrigerator section

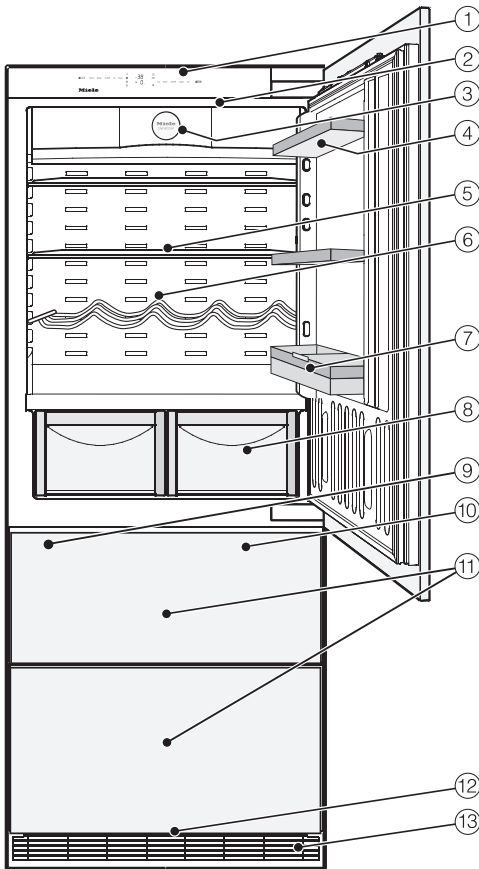
- ① Alarm-off button for silencing the door alarm, or the temperature alarm of the freezer section
- ② Button for turning SuperCool On / Off ❄️
- ③ Button for turning the refrigerator section On / Off
- ④ Button for setting a higher or lower temperature in the refrigerator section
- ⑤ Indicator lights:
  - ⚡ Power failure
  - 🌀 Air filter dirty
  - ❄️ SuperCool is on
  - 🔒 Safety lock is On
- ⑥ Temperature display (top for refrigerator section, bottom for freezer section) and symbol display (only visible in the settings mode *MENU*; "More settings")

### Freezer section

- ⑦ Indicator lights:
  - ⚠️ Temperature alarm for the freezer section
  - 🧊 Ice cube maker is On
  - ❄️ SuperCool is On
- ⑧ Button for setting a higher or lower temperature in the freezer section
- ⑨ Button for turning the freezer section On / Off
- ⑩ Button for turning SuperCool On / Off ❄️
- ⑪ Button for switching the ice cube maker On / Off 🧊

# Guide to the Appliance

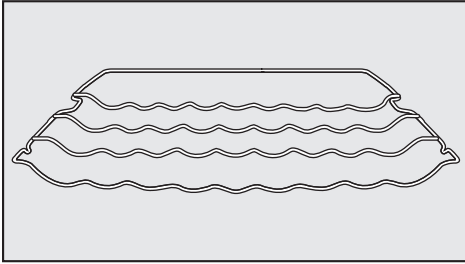
---



- ① Control panel
- ② Interior lighting
- ③ Fan
- ④ Egg tray / Door shelf
- ⑤ Shelf
- ⑥ Bottle rack
- ⑦ Bottle shelf with bottle divider
- ⑧ Fruit and vegetable drawers
- ⑨ Automatic ice cube maker behind the drawer
- ⑩ Freezer section interior lighting
- ⑪ Freezer drawers
- ⑫ Base cover with air filter behind it
- ⑬ Water connection

## Included accessories

### Bottle rack



The bottle rack allows you to store bottles horizontally, which saves space.

The bottle rack can be used at several locations in the appliance.

## Optional accessories

### Bottle rack

(see "Included accessories" for more information)

Optional accessories are available from Miele, your Miele dealer or online.

# How to save Energy

	<b>Normal energy consumption</b>	<b>Increased energy consumption</b>
<b>Installation / maintenance</b>	In a well ventilated room.	In an enclosed, poorly ventilated room.
	Protected from direct sunlight.	In direct sunlight.
	Away from heat sources (radiator, stove/oven).	Near a heat source (radiator, stove/oven).
	Where the room temperature is ideal, i.e. around 20°C.	Where the room temperature is higher.
	Do not block the ventilation openings, and keep them clean.	Where the ventilation openings are blocked and full of dust.
<b>Temperature setting</b>	39 - 41°F (4 - 5°C) in the refrigerator section	The lower the temperature setting, the higher the energy consumption.
	0°F (-18°C) in the freezer section	

## How to save Energy

	<b>Normal energy consumption</b>	<b>Increased energy consumption</b>
<b>Use</b>	The drawers and shelves are in the original arrangement.	
	Only open the doors when necessary and for as short a time as possible. Store food in an organized way.	Frequent opening of the door or for long periods will allow the cold to escape and warm air to enter. The appliance tries to keep the temperature low and the compressor runs longer.
	When shopping, use a cooler box or bag and place the food in the appliance as soon as possible. Replace items removed from the appliance as soon as possible before they warm up. Allow hot food and drinks to cool down before placing them in the appliance.	Hot food warms up the appliance. The appliance then tries to keep the temperature low and the compressor runs longer.
	Store food covered or wrapped.	The evaporation or condensation of liquids in the refrigerator section lower the cooling performance.
	Place frozen food in the refrigerator to thaw.	
	Do not overfill the appliance in order to allow the air to circulate.	

# Turning the Appliance On / Off

---

## Before the first use

It is very important to let the appliance stand for 30 to 60 minutes after transport before you plug it in for the first time. Failure to do so can prevent the appliance from functioning properly!

## Packaging material

- Remove all packaging material from the inside of the appliance.

## Protective film

The stainless steel trim and covers are covered with a film to protect them during transportation.

- Pull the protective film off the stainless steel surfaces.

## Cleaning and care

- Clean the inside of the appliance and the accessories (see "Cleaning and care").

## Operating the appliance

A light touch of the finger on the sensor buttons is all that is required to operate this appliance.

After transporting the appliance, let it stand for approx. 1/2 to 1 hour before plugging it in. This is necessary to ensure that the appliance functions correctly!

## Turning the appliance on

The refrigerator and freezer sections can be turned on and off separately so that you can use one section only. This is useful when you only need to have the freezer section running (when on vacation, for example.)



- Touch the button for turning the refrigerator and/or the freezer section On / Off so that the respective temperature is displayed.


The appliance starts to cool.

The top temperature display shows the temperature in the refrigerator section, the bottom temperature is that in the freezer section.

If the temperature in the freezer section is above 32°F (0°C), only dashes are displayed.



# Turning the Appliance On / Off

The alarm symbol  on the control panel flashes until the selected temperature is reached.


The interior lighting will come on when the refrigerator door or a freezer drawer is opened.

Allow the appliance to run for a few hours before placing food in it. Do not place food in the freezer section until the temperature is cold enough (at least 0°F / -18°C).

## Turning the appliance off




- Touch the button for turning the refrigerator and/or the freezer section on On / Off until the respective temperature display goes out.

This is not possible when the safety lock is on, which is indicated by the  symbol on the control panel.

The interior lighting goes out and the cooling is turned off.


## Vacation Tips

### Short vacations (if you will be away for less than four weeks)

- Shut off the water supply to the ice cube maker.  
When the ice cube maker LED  starts blinking, the remaining water in the supply line is in the ice cube maker.  
Leave the Ice Maker on and working for one day so that the remaining ice cubes are ejected.

- Turn off the ice cube maker.
- Transfer all ice cubes to the right part of the upper drawer or to the bottom drawer.
- Use all perishables.
- Freeze other items.

### Long vacations (if you will be away for more than four weeks)

- Shut off the water supply to the ice cube maker.  
When the ice cube maker LED  starts blinking, the remaining water in the supply line is in the ice cube maker.  
Leave the ice cube maker on and working for one day so that the remaining ice cubes are ejected.
- Turn off the Ice maker.
- Remove all ice cubes from the drawer and dispose of them.
- Remove all food from the appliance.
- Turn the appliance off.
- Unplug the power cord from the electrical outlet or trip the circuit breaker.
- Clean the appliance.
- Leave the doors ajar to prevent any odor build-up in the appliance.

If, during a long absence, the appliance is turned off but not cleaned and the doors are left closed, bacteria may build up in the appliance.

# The Right Temperature

---

The right temperature is very important for storing food. If food is not stored at the right temperature, bacteria can multiply rapidly, causing the food to spoil. This can be prevented or delayed by selecting the right temperature. Temperature affects the rate at which bacteria multiply. Reducing the temperature slows down this process.

The temperature in the appliance will rise for the following reasons:

- if you open the door frequently or keep it open too long,
- if you put too much food in it,
- if you put food in it that is too warm,
- if the room temperature is too high. The appliance is designed for use within a certain climate range (room temperature range) and should not be used outside this range.

## ... in the refrigerator

We recommend a temperature of **39°F (3°C)** in the refrigerator section.

## Automatic cold air circulation (DynaCool)

Whenever the refrigerator section turns on for cooling, the fan is automatically turned on as well. This ensures that cold air is evenly distributed throughout the refrigerator, so that all the food stored inside will be chilled to approximately the same temperature.

## ... in the freezer

For freezing fresh food and storing frozen food for longer periods of time, the temperature needs to be 0°F (-18°C). At this temperature, most bacteria stop multiplying. However, when the temperature rises above 14°F (-10°C) the bacteria become active, causing the food to start deteriorating and reducing the storage life. This is why any partially or completely thawed food must never be refrozen until it has been cooked. High cooking temperatures will kill most bacteria.

## Temperature display

In normal operation the display shows the **current average refrigerator temperature** and the temperature **in the warmest part of the freezer**.

Dashes are displayed if the temperature in the freezer section is not within the displayable range.

Depending on the room temperature, it can take several hours (3 to 8) until the selected temperature is reached and displayed steadily.

If the temperature was above 0°F (-18°C) for a longer period of time you will need to check to make sure that no frozen food started to thaw. Any food that started to thaw must be used as soon as possible!

The temperature display flashes when

- a new temperature is being set,
- the temperature in the appliance has risen by several degrees, indicating that it is warming up too much, or
- a fault is displayed "F1" to "F5" (see "Frequently asked questions").

This short-term loss of cooling is no cause for concern in the following cases:

- when the door has been left open for a while, for example to take out or put in a large amount of food,
- when fresh food is being frozen.

## Setting the temperature for the refrigerator and freezer

The temperatures for the refrigerator and the freezer are set separately using the buttons for the respective section.



- Set the desired temperatures using each of the buttons.

Tap

- **Up** to increase the temperature
- **Down** to decrease the temperature.

The temperature display flashes while you set the new temperature.

# The Right Temperature

---

When you tap the buttons, you will see the following changes in the display:

- When first tapped: The **last temperature selected** flashes.
- Every new tap:  
The temperature value changes in increments of 1 degree.
- Holding down the button will change the temperature value continuously.

Approximately 5 seconds after you release the button, the **actual** temperature in the appliance will be displayed.

If you have changed the temperature and the appliance is **not very full, wait approx. 6 hours**, if it is **full, approx. 24 hours** before checking the temperature display again. It will take that long to reach the selected temperature.

If, after this amount of time, the temperature is too high or too low, you will need to adjust it again.

## Temperature ranges

The temperature can be selected within the following ranges:

- In the refrigerator section, 36°F to 44°F (2°C to 6°C).
- In the freezer section, 7°F to -15°F (-14°C to -27°C).

# Using SuperCool in the refrigerator section

---

The SuperCool function can be used to rapidly reduce the temperature in the refrigerator section to its lowest setting (depending on the room temperature).

## Turning on SuperCool

SuperCool is particularly recommended for quickly cooling large amounts of fresh food or drinks.



- Touch the button for turning SuperCool on and off so that the ❄️ symbol to the left of the display will come on.

The temperature in the refrigerator now begins to fall, with maximum cooling performance.

## Turning off SuperCool

SuperCool automatically turns off after approx. 6 hours. The appliance continues running with normal cooling performance.

To save energy, you can turn off SuperCool yourself once the food or drinks are sufficiently chilled.



- Touch the button for turning SuperCool On / Off so that the ❄️ symbol to the left of the display will go out.

The appliance now continues running with normal cooling performance.

# Using SuperCool in the freezer section

---

For best results, turn on SuperCool before putting fresh food into the freezer.

Fresh food will be frozen quickly, so that the nutritional value, vitamin content, appearance and taste are maintained.

## Exceptions:

- if you are loading frozen food into the freezer.
- if you are not loading more than 4.5 lbs (2 kg) fresh food into the freezer per day.

## Turning SuperCool on

SuperCool should be turned on **6 hours before you place** fresh food in the freezer. However, if you want **maximum freezing performance, SuperCool should be turned on 24 hours beforehand!**



- Touch the button for turning SuperCool On / Off so that the ❄ symbol to the right of the display comes on.

The temperature in the freezer section now begins to fall, with maximum cooling performance.

## Turning off SuperCool

SuperCool turns off automatically after approx. 30 - 65 hours. The length of time required until it turns off depends on the amount of fresh food added. ❄ goes out, and the appliance continues running with normal cooling performance.

To save energy, you can turn off SuperCool once the freezer reaches a constant temperature of at least 0°F (-18°C). Therefore you should check the temperature in the freezer section.




- Touch On / Off button for SuperCool so that the ❄ symbol to the right of the display goes out.

The appliance now continues running with normal cooling performance.

# Temperature and Door Alarm

The appliance is equipped with a warning system to ensure that the temperature in the freezer section does not rise unnoticed and to avoid energy being wasted if doors or drawers are left open.


## Temperature alarm

An alarm will sound if the **temperature in the freezer section** becomes too warm. The alarm  indicator flashes on the control panel as well as the bottom temperature indicator (for the freezer section) in the display.

When the alarm is triggered depends on the selected temperature.

The audio and visual signal is triggered:

- when you turn on the appliance if the temperature in the freezer section differs too much from the selected temperature,
- when too much warm air flows into the appliance, for example when food is being re-arranged or taken out,
- when freezing large amounts of food at once,
- when the appliance is malfunctioning.

Once the alarm condition has ended, the audio alarm stops and the alarm  indicator goes out. The temperature indicator for the freezer section stops flashing.

If the temperature was above 0°F (-18°C) for a longer period of time, you will need to check to make sure that no frozen food started to thaw. Any food that started to thaw must be used as soon as possible or cooked before refreezing!


## Turning off the audio alarm

If the alarm signal bothers you, it can be silenced.



- Touch the alarm button.

The alarm sound will stop.

The alarm  indicator and the bottom temperature indicator in the display keep flashing until the temperature has returned to normal.

# Temperature and Door Alarm

---

## Door alarm

An alarm will sound if the appliance door or a freezer drawer is left open for more than 3 minutes.

The alarm will stop as soon as the door or the freezer drawer is closed.

## Turning off the audio alarm

If the alarm signal bothers you, it can be silenced.



- Touch the alarm button.

The alarm sound will turn off.



Certain appliance settings can only be selected in the settings mode.

## Options

<i>S</i>	Sabbath mode
<i>c</i>	Safety lock
<i>L</i>	Ice cube maker function test (for Service use only)
<i>E</i>	Setting the water quantity for the ice cube tray (see "Making ice cubes")
<i>o</i>	Temperature unit (Fahrenheit or Celsius)
<i>h</i>	Brightness of the display
<i>H</i>	Lower hinge heating control
<i>n</i>	Resetting the air filter display (see "Cleaning and care")

Some setting options are not covered below but rather in their respective chapters.

## Sabbath mode *S*

Sabbath mode can be selected to facilitate religious customs.

In Sabbath mode, many functions are deactivated and cannot be selected.

- The interior lighting does not come on when the door or a freezer drawer is opened.
- The fan stays in its last setting.
- The door alarm is deactivated.
- The temperature alarm is deactivated.

The cooling performance of the appliance is not affected.

Sabbath mode is automatically deselected after approx. 120 hours. You can deactivate Sabbath mode yourself

When in Sabbath mode, the appliance cannot be turned off. Either deselect Sabbath mode or pull the plug.

A power failure would not be indicated in Sabbath mode. After a power failure the appliance goes back to Sabbath mode.

# Additional Settings

---

## Turning Sabbath mode On / Off



- Press and hold the SuperCool button for the freezer section On / Off button for 5 seconds.

The SuperCool indicator ❄️ to the right of the display is on during this time, and after 5 seconds S flashes in the lower temperature display (freezer section). The display shows MENU. You are now in settings mode.

- Touch the Super button again.

The following will appear in the display:

- 5 1 (Sabbath mode is activated), or
- 5 0 (Sabbath mode is deactivated).

- Touch the Super button again to confirm your selection.

The display shows "S" when the appliance is in Sabbath mode. The interior lighting goes out and the display and the symbols on the control panel go out.



- To leave the settings mode, touch the button for turning the freezer section on and off.

If not manually deactivated, Sabbath mode is automatically deselected after approx. 120 hours.

## Safety lock c

The safety lock can be activated to prevent the appliance being turned off inadvertently.

## Turning the safety lock On / Off



- Press and hold the SuperCool for the freezer section On / Off button for 5 seconds.

The SuperCool indicator ❄️ to the right of the display is on during this time, and after 5 seconds 5 flashes in the lower temperature display (freezer section). The display shows MENU. You are now in the settings mode.




- Tap the button for setting the temperature in the freezer section until a flashing c appears in the lower temperature display.

- Touch the Super button again.

The following will appear in the display:

- c 1 (Safety lock is activated), or
- c 0 (Safety lock is deactivated).

- Touch the Super button again to confirm your selection.

 appears in the control panel when the safety lock is activated.



- To leave the settings mode, touch the button for turning the freezer section on and off.

## Temperature unit (Fahrenheit or Celsius)



The temperature can be displayed in Fahrenheit (°F) or Celsius (°C).

The factory default is Fahrenheit.


### Selecting the temperature unit



- Press and hold the SuperCool button for the freezer section On / Off button for 5 seconds.



The SuperCool indicator  to the right of the display is on during this time, and after 5 seconds  flashes in the lower temperature display (freezer section). The display shows MENU. You are now in the settings mode.



- Tap the button for setting the temperature in the freezer section until a flashing  appears in the lower temperature display.

- Touch the Super button again.

The following will appear in the display:

-   $\text{C}$  (Temperature display in Celsius), or
-   $F$  (Temperature display in Fahrenheit).

- Touch the Super button again to confirm your selection.

The temperature is now displayed in the selected unit.



- To leave the settings mode, touch the button for turning the freezer section on and off.

# Additional Settings

---

## Brightness of the display *h*

You can adjust the brightness of the display to suit the light conditions in the room.

There are five different brightness settings. The factory default setting is **5** (maximum brightness).

## Changing the brightness of the display



- Press and hold the SuperCool button for the freezer section On / Off button for 5 seconds.

The SuperCool indicator ❄️ to the right of the display is on during this time, and after 5 seconds **5** flashes in the lower temperature display (freezer section). The display shows MENU. You are now in the settings mode.



- Press and hold the buttons for setting the temperature in the freezer section until a flashing *h* appears in the lower temperature display.
- Touch the Super button again.

The display shows *h* 0 to *h* 5:

- *h* 0: lowest brightness level
- *h* 5: highest brightness level.



- You can change the brightness within levels **0** to **5** by tapping the button for setting the temperature in the freezer section.
- Touch the Super button again to confirm your selection.



- To leave the settings mode, touch the button for turning the freezer section on and off.

### Lower hinge heating control *H*

If condensed water appears in the lower hinge area or on the base plate between the refrigerator and freezer compartments, increase the output of the heating located behind the base plate.

Factory default is *H R*.

Condensation does not occur at normal room temperature and humidity. The heating prevents condensation at high humidity and low room temperature.

### Changing the heat setting



- Press and hold the SuperCool button for the freezer section On / Off button for 5 seconds.

The SuperCool indicator ❄️ to the right of the display is on during this time, and after 5 seconds **5** flashes in the lower temperature display (freezer section). The display shows MENU. You are now in the settings mode.



- Tap the button for setting the temperature in the freezer section until a flashing *H* appears in the lower temperature display.
- Touch the Super button again.

The following will appear in the display:

- *H R*: select this if there is only little condensation,

- *H 1*: select this if there is a lot of condensation,
- *H 0*: select this if there is no condensation (heating off).

- Change the heat setting by tapping the button for setting the temperature in the freezer section.

- Touch the Super button again to confirm your selection.



- To leave the settings mode, touch the button for turning the freezer section on and off.

# Using the Refrigerator Efficiently

---

## Different storage zones

Due to the natural circulation of the air in the appliance, there are different temperature zones in the refrigerator. Cold, heavy air sinks to the lowest section of the appliance. Make use of the different zones when placing food in the appliance.

This appliance has dynamic cooling, which helps to keep an even temperature when the fan is running. For this reason, the difference between the various zones is less pronounced.

## Warmest area

The warmest areas in the refrigerator are in the top section towards the front and in the top of the door. Use this for storing butter and cheese.

## Coldest area

The coldest areas in a refrigerator are directly above the vegetable containers and next to the back wall.

Use this for all delicate and highly perishable food, such as:

- fish, meat, poultry,
- cold cuts, ready-made meals,
- dishes or baked goods containing eggs or cream,
- fresh doughs and cake batters,
- dairy products,
- pre-packed vegetables and other fresh food whose best-before date requires storage at a temperature of at least 39°F (4°C).

# Using the Refrigerator Efficiently

---

## WARNING!

Danger of fire

Do not use small electric appliances inside the food storage compartments of the appliance, unless recommended by the manufacturer.

Do not store explosive materials in the appliance or any flammable products (e.g. spray cans).

Danger of explosion!

If you store food containing oil or fat in the appliance or in the refrigerator door, make sure that fat or oil does not drip on the plastic components of the appliance.

Traces of oil can cause stress cracks and breaking or cracking of the plastic components.

Do not allow food to touch the back wall of the appliance, as it may freeze to the back wall.

To allow air to circulate efficiently, do not pack food too closely together.

Do not cover the fan in the rear wall - this is important for cooling performance!

# Arranging the Interior - Refrigerator Section

---

## Adjusting the shelves

The shelves can be adjusted according to the height of the food.

- Lift the shelf at the front, pull it forwards slightly, lift the recess over the support ribs and move the shelf up or down.

The edge of shelf's rear stop must face upwards so that food does not touch the rear wall and freeze to it.

Stops prevent the shelves from being pulled out accidentally.

## Shelf above the fruit and vegetable drawers

The shelf above the fruit and vegetable drawers can be removed for cleaning.

- Lift the shelf at the front, pull it forwards slightly to lift the stops, and slowly pull the shelf out.
- Lift the shelf at the front, pull it forwards slightly to lift the stops, and slowly pull the shelf out.

## Fruit and vegetable drawers

The fruit and vegetable drawers can be removed for loading and unloading or for cleaning.

- Pull the drawer forward, then lift it up and out of the appliance.

Then push the rails back into the appliance to avoid any damage.

To insert the drawer,

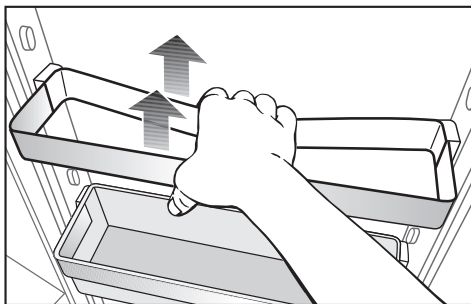
- place the drawer on the completely extended rails. The rails must be in contact with the front of the drawer!
- Push the drawer in.



## Arranging the Interior - Refrigerator Section

### Adjusting the door shelf / bottle shelf

- Lift the hanging container up and out of the stainless steel support frame.



- Push the stainless steel support frame up and remove it by pulling it forward.
- Replace the stainless steel support frame at the desired location. Make sure that it is securely pushed back into position.
- Place the hanging container into the stainless steel frame.

The hanging containers can be removed for loading and unloading and then replaced.

The hanging containers with the food can be placed directly on the table for serving.

### Adjusting the bottle divider

The bottle divider can be moved to the left or right. This holds the bottles more securely in position when the door is opened and closed.

The bottle divider can be removed completely (e.g. for cleaning):

- Slide the front edge of the bottle divider up and lift the bottle divider out.

# Freezing and Storing Food

---

## WARNING!

Danger of fire

Do not use small electric appliances inside the food storage compartments of the appliance, unless recommended by the manufacturer.

## Maximum freezing capacity

To ensure that fresh food placed in the freezer freezes through to the core as quickly as possible, the maximum freezing capacity must not be exceeded. The maximum freezing capacity within a 24-hour period is listed on the data plate as "Freezing capacity ...lbs/24 hrs".

## Freezing fresh food

Fresh food should be frozen as quickly as possible so that the nutritional value of the food, its vitamin content, appearance and flavor are maintained.

- Place frozen food in the freezer immediately upon returning home.

Never re-freeze partially or completely thawed food. However, once thawed food has been thoroughly cooked you may freeze it again.

## 24 h before freezing

- When freezing more than 4 lbs (2 kg) of fresh food, turn on SuperCool ❄️ 24 h before (see "Using SuperCool for the freezer section"). This will protect the food that is already in the freezer with an added boost of cold.

## Placing food in the freezer

When freezing, ensure that already frozen food does not come into contact with fresh food being frozen so that the frozen food does not start to thaw.

- When placing items in the freezer, ensure that the packaging and containers are dry to prevent them from sticking together when frozen.

## Thawing frozen foods

Frozen food can be thawed in various ways:

- in the microwave,
- in a regular oven, using the "fan" or "defrost" setting,
- at room temperature,
- in the refrigerator (as it thaws, the frozen food will help cool the other food in the refrigerator),
- in the refrigerator (as it thaws, the frozen food will help cool the other food in the refrigerator),

**Flat pieces** of partially thawed meat or fish can be placed directly into a hot skillet.

**Pieces of meat and fish** (e.g. ground meat, chicken, fish fillet) should not come into contact with other food while thawing. Collect the thawed water and dispose of it carefully.

**Fruit** can be thawed at room temperature, either in the packaging or in a covered bowl.

**Most vegetables** can be cooked while still frozen. You can place them directly in simmering water or hot oil. Because of changes in the cell structure, the cooking time is slightly shorter than for fresh vegetables.

Never re-freeze partially or completely thawed food. However, once thawed food has been thoroughly cooked you may freeze it again.

## Cooling drinks quickly

Bottles that are put in the freezer for quick cooling must be removed within one hour. Otherwise, they could burst.

# Making Ice Cubes

For the automatic ice cube maker to operate it must be connected to the household water supply.


## Turning the ice cube maker On

- If not done yet open the water supply to the ice cube maker.



- Turn the freezer section On.



- Touch the button for turning the ice cube maker on and off so that the indicator light of the ice cube maker  comes on.


Ice cubes can only be produced if both freezer drawers are completely closed.

After the ice cube maker is turned on for the first time it can take up to 24 hours for the first ice cubes to drop out of the ice cube maker into the drawer.


Do not consume or use the first three batches of ice. This applies both to using the appliance for the first time and also using it after it has not been used for a long period of time.

The ice cube maker can make up to 120 ice cubes in 24 hours (if the temperature in the freezer section is 0°F (-18°C)).

When the ice reaches a certain level in the drawer, the appliance stops producing ice automatically.

If the indicator light of the ice cube maker  flashes, the ice maker is not being supplied with water. Check if the shut off valve of the water supply is opened.

## Making larger quantities of ice cubes


The amount of ice cubes that the appliance makes in 24 hours depends on the temperature in the freezer section. Select SuperCool  if you want to increase the production rate (up to 150 cubes in 24 hours). However, this will also increase the energy consumption of the appliance.

The ice cube maker starts producing again as soon as the drawer is closed.


## Turning the ice cube maker Off

The ice cube maker can be turned off independently of the freezer section if you do not want to make any ice cubes.



- Touch the button for switching the ice cube maker on and off so that the indicator light of the ice cube maker  goes out.

## When the ice cube maker will be turned off for a long period of time:

- Shut off the water supply to the ice cube maker.  
When the ice cube maker LED  starts blinking, the remaining water in the supply line is in the ice cube maker.  
Leave the ice cube maker on and working for one day so that the remaining ice cubes are ejected.
- Turn off the Ice maker.
- Remove all ice cubes from the drawer and dispose of them.


## Setting the water quantity for the ice cube tray *E*

The size of the ice cubes that are produced depends on the quantity of inflowing water.

The quantity of inflowing water can be adjusted to make larger ice cubes.



- Press and hold the SuperCool button for the freezer section On / Off button for 5 seconds.

The SuperCool indicator  to the right of the display is on during this time, and after 5 seconds **5** flashes in the lower temperature display (freezer section). The display shows MENU. You are now in the settings mode.



- Press and hold the button for setting a higher or lower temperature in the freezer section until a flashing *E* appears in the lower temperature display.
- Touch the Super button again.

*E3* appears in the temperature display (factory default).

The water quantity can be set between *E1* (lowest water quantity) and *E8* (highest water quantity).

# Making Ice Cubes

---

- You can change the water quantity within levels **1** to **8** by tapping the button for setting the temperature in the freezer section.
- We recommend increasing the water quantity by one level only (first to **E4**) and then check whether the ice cubes are big enough.

Do not increase by more than one step. If the adjusted size is too big, the ice cube tray of the ice maker could overflow.

- Touch the Super button again to confirm your selection.



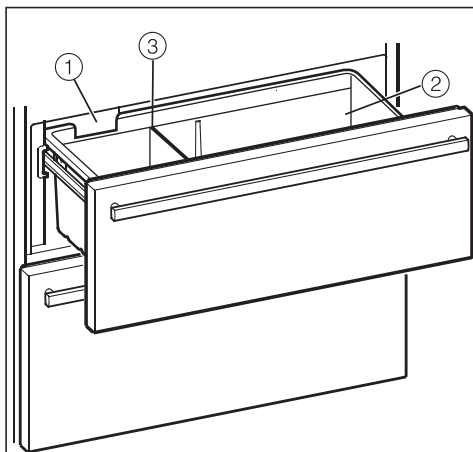
- Touch the button for turning the freezer section on and off to leave the settings mode.

Check the ice cube size in the following days. If the ice cubes are still smaller than desired, follow the above steps again.

# Arranging the Interior - Freezer Section

## Freezer drawers

Both freezer drawers can be used for freezing and storing food.



The ice maker ① is located above the upper drawer ② on the left side.

The upper drawer ② is divided by a partition wall ③ for storing ice cubes in the left part of the drawer.

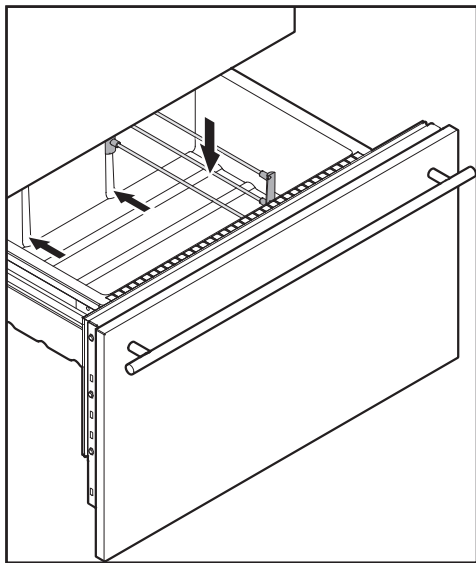
If you need the whole drawer for ice cubes storage, the partition ③ can be removed by pulling it upwards and out.

If you need the whole upper drawer for freezing and storing food, turn off the ice cube maker (see chapter "Making Ice Cubes").

The bottom drawer is intended for freezing and storing food. Ice cubes can also be stored in this drawer.

## Adjusting the separators

You can adjust the separators in the lower freezer drawer according to your needs.



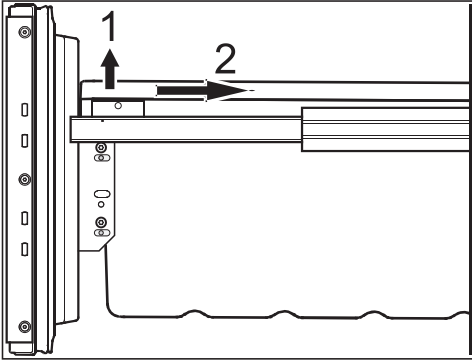
- Grab the separators at the front and back and pull upwards and out.
- Now replace them to the left or right.

# Arranging the Interior - Freezer Section

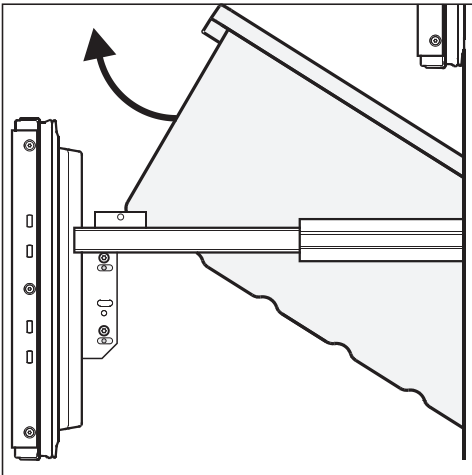
---

## Removing the freezer drawer containers

You can remove the freezer drawer containers for better cleaning.



- Lift the container at the front left and right (1) and push it slightly backwards (2).



- Lift the container out.
- Replace the container by reversing the removal procedure.



**WARNING!** Risk of injury and damage.  
Do not use other means to accelerate the defrosting process, other than those recommended by the manufacturer.

## Refrigerator section

The refrigerator defrosts automatically.

During normal operation, condensate and frost can form on the back wall of the refrigerator section. You do not need to remove this, as it will defrost and evaporate automatically with the warmth generated by the compressor.

The condensate is drained away through a channel and drain hole, then fed into an evaporation system at the back of the appliance.

## Freezer section

The appliance is equipped with a "NoFrost" system for automatic defrosting as needed.

The moisture generated in the appliance collects on the condenser, and is automatically defrosted and evaporates periodically.

- This automatic defrosting system keeps the freezer section permanently ice-free, while ensuring that the food stored in the freezer section does not thaw.

# Cleaning and Care

---

## WARNING!

Danger of electric shock.  
Unplug refrigerator or disconnect power.

Danger of fire.  
Do not damage the coolant circuit.

Do not let water get into the electronic unit or the lighting, or on the metal contacts in the left-hand shelf support.

Cleaning water must not get into the drain hole.

Do not use a steam cleaning apparatus to clean the appliance. Steam could reach the electrical components and cause a short circuit.

The data plate located inside the appliance must not be removed. It contains important information that is required in the event of a service call.

- abrasive cleaning agents e.g. scouring powder or scouring cream cleansers, pumice stone,
- stainless steel cleaners,
- dishwasher cleaner,
- oven sprays,
- glass cleaners,
- abrasive hard sponges and brushes such as pan scrubbers,
- magic erasers,
- sharp metal scrapers.

Glass cleaners may be used to clean the exterior. However **do not** allow them to sit or "puddle", this can cause damage to the surface. Remove the cleaner promptly.

Use a mild solution of warm water and liquid dish soap.

The following pages contain important information on cleaning.

## Cleaning agents

To better maintain your appliance **avoid** the following:

- cleaning agents containing soda, ammonia, acid or chloride,
- cleaning agents containing soda, ammonia, acid or chloride,
- abrasive cleaning agents e.g. scouring powder or scouring cream cleansers, pumice stone,

## Before cleaning

- Turn the appliance off.  
The display goes dark and the cooling is turned off.  
If this is not the case, the safety lock is on (see "Additional settings - Turning the safety lock on and off).
- Unplug the power cord from the outlet or trip the circuit breaker.
- Take any food out of the appliance and store it in a cool place.
- Take all removable parts out for cleaning.

## Cleaning the interior and accessories

Clean the appliance at least once a month.

Remove any soiling immediately so that it does not dry up.

- Clean the interior and the accessories using a mild solution of warm water and liquid dish soap. After cleaning, wipe everything with clean water, then dry with a soft cloth.
- Leave the appliance doors and drawers open for a short time.

The accessories are not dishwasher safe.

## Door seal

Do not use any grease or oil on the door seal as this will cause the seal to deteriorate over time.

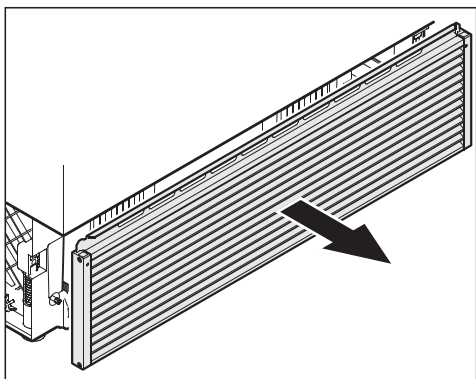
- The door seal should be cleaned regularly with clean water and then wiped thoroughly dry with a soft cloth.


## Ventilation slits

- The ventilation slits should be cleaned on a regular basis with a brush or vacuum cleaner. A build-up of dust will increase the amount of energy the appliance consumes.

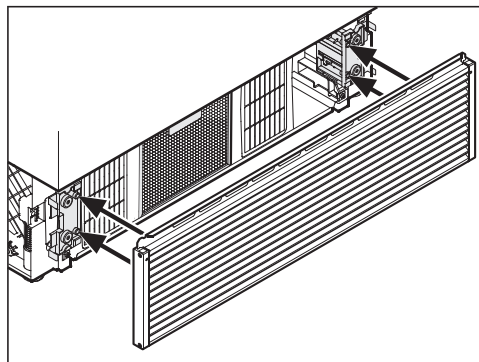
# Cleaning and Care


## Cleaning the air filter

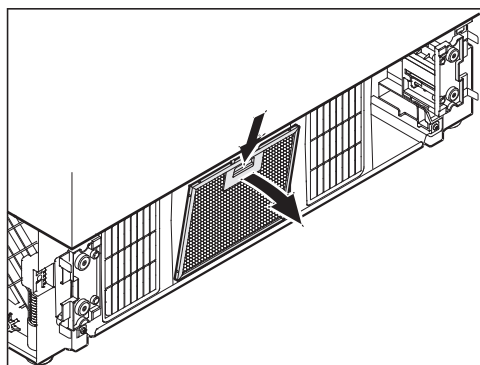


- The air filter should be cleaned when the air filter symbol  on the control panel comes on.
- Remove the cover with the ventilation slits. No tools are required.

- Clean the air filter in the dishwasher or by hand with warm water and liquid dish soap.
- Replace the air filter by reversing the removal procedure.




- Replace the cover with the ventilation slits.
- Reset the air filter indicator  as follows:



- Push the latch of the air filter downwards and take it out.


## Resetting the air filter indicator



The air filter indicator  must be reset after each filter cleaning.





- Press and hold the SuperCool button for the freezer section On / Off button for 5 seconds.


The SuperCool indicator  to the right of the display is on during this time, and after 5 seconds **5** flashes in the lower temperature display (freezer section). The display shows MENU. You are now in the settings mode.



- Tap the button for setting the temperature in the freezer section until a flashing **n** appears in the lower temperature display.
- Touch the Super button again.

**n**  appears in the temperature display and  lights up on the control panel.




- Touch the Super button again to confirm your selection.

**n** appears in the temperature display and the  indicator on the control panel goes out. The air filter indicator is now reset.



- Touch the button for turning the freezer section on and off to leave the settings mode.

## After cleaning

- Replace all shelves and accessories in the appliance.
- Plug in the power cord and turn the appliance On.
- Turn on SuperCool  to cool down the freezer section quickly.
- Turn on SuperCool  for a while to cool down the refrigerator section quickly.
- Place food back in the refrigerator section, close the appliance door.
- Once the temperature in the freezer section is cold enough, you can place the food in the freezer drawers and return the drawers to the freezer.
- Turn off SuperCool  as soon as the freezer section has reached a constant temperature of at least 0°F (-18°C).

## Frequently asked questions

---

You can easily resolve many of the minor problems you may encounter during everyday use. With the aid of the following guide, the cause of a problem can be found and eliminated.

If necessary, contact Miele Technical Service for assistance.

To prevent cold from escaping, open the appliance doors as little as possible until the fault has been corrected.

Repairs should only be carried out by a qualified and trained person in strict accordance with local and national safety regulations. Unauthorized repairs could cause personal injury or machine damage and may void the warranty.

<b>Problem</b>	<b>Possible cause</b>	<b>Solution</b>
<b>The appliance does not get cold, the interior lightning does not come on when the door opens, and the display is dark.</b>	The appliance is not turned on.	■ Turn the appliance On.
	The plug is not properly plugged into the electrical outlet.	■ Insert the plug into the electrical outlet.
	The circuit breaker has tripped. The fridge/freezer, the power supply or another appliance could be defective.	■ Contact a qualified electrician or Miele Technical Service for assistance.

## Frequently asked questions

**The compressor runs more and more often and for longer periods of time, the temperature in the appliance drops.**

<b>Problem</b>	<b>Possible cause</b>	<b>Solution</b>
<b>The temperature in the appliance is too low.</b>	The temperature in the appliance is too low.	■ Correct the temperature setting.
	The freezer drawers are not closed all the way.	■ Check that the drawers are closing properly.
	A large amount of food is being frozen at once.	■ A large amount of food is being frozen at once.
	SuperCool is still on in the refrigerator section. SuperCool automatically shuts off after approx. 6 hours.	To save energy, you can turn SuperCool off yourself.
	SuperCool is still on in the freezer section. SuperCool automatically shuts off after approx. 30 - 65 hours.	To save energy, you can turn SuperCool off yourself.

## Frequently asked questions

Problem	Possible cause	Solution
	<p>The ventilation slits in the base of the appliance are blocked or dusty.</p>	<ul style="list-style-type: none"> <li>■ Do not block the ventilation slits.</li> <li>■ Clean the ventilation slits on a regular basis.</li> </ul>
	<p>The door or the drawers were opened frequently, or a large amount of fresh food was put in all at once for freezing.</p>	<ul style="list-style-type: none"> <li>■ Only open the doors or the drawers when necessary and for as short a time as possible.</li> </ul> <p>After a while the temperature will return to normal on its own.</p>
	<p>The appliance door or freezer drawers are not closed all the way. A thick layer of ice may have developed in the freezer section.</p>	<ul style="list-style-type: none"> <li>■ Close the appliance door or the freezer drawers.</li> </ul> <p>After a while the temperature will return to normal on its own.</p> <p>If a thick layer of ice has formed, it will decrease the cooling performance and increase the energy consumption.</p> <ul style="list-style-type: none"> <li>■ Defrost the the freezer section and clean it.</li> </ul>
	<p>The room is too warm. The higher the room temperature, the longer the compressor has to run.</p>	<ul style="list-style-type: none"> <li>■ See "Installation - Location".</li> </ul>
	<p>The appliance was not properly installed in the niche.</p>	<ul style="list-style-type: none"> <li>■ See "Installing the appliance".</li> </ul>

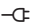



## Frequently asked questions

<b>The compressor comes on less and less often and for shorter periods of time, the temperature in the appliance rises.</b>		
<b>Problem</b>	<b>Possible cause</b>	<b>Solution</b>
<b>The temperature in the appliance is too high.</b>	This is not a fault.	<ul style="list-style-type: none"> <li>■ Correct the temperature setting.</li> <li>■ Check the temperature again after 24 hours.</li> </ul>
<b>The food begins to thaw.</b>	<p>The room temperature is too low for this appliance.</p> <p>The compressor runs less often if the room temperature is too low.</p> <p>Therefore it may become too warm in the freezer section.</p>	<ul style="list-style-type: none"> <li>■ See "Installation - Location".</li> <li>■ Increase the room temperature.</li> </ul>

<b>Indication in the display</b>		
<b>Problem</b>	<b>Possible cause</b>	<b>Solution</b>
<b>The temperature display for the freezer section shows two dashes.</b>	The temperature is only displayed if it is below 32°F (0°C).	<ul style="list-style-type: none"> <li>■ Check the temperature display approx. 6 hours after the appliance is turned on.</li> </ul>
	The temperature in the appliance rose to above 32°F (0°C) in the past days or hours because of a power outage.	<ul style="list-style-type: none"> <li>■ Solution on the next page.</li> </ul>

# Frequently asked questions


Indication in the display		
Problem	Possible cause	Solution
<p><b>The power outage  indicator is on and the temperature indicator for the freezer section flashes.</b></p>	<p>The temperature in the appliance rose too much in the past days or hours because of a power outage.</p> <p>The appliance will go back to the last temperature setting when the power is back on.</p>	<ul style="list-style-type: none"> <li>■ Touch the Alarm button.</li> </ul> <p>Now the highest temperature that occurred in the freezer section during the power outage is displayed.</p> <p>The highest temperature will appear in the display for approx. 1 minute. Then the display will revert to the actual current temperature in the freezer section.</p> <ul style="list-style-type: none"> <li>■ Depending on the temperature, check to see whether the food in the freezer thawed partially or completely. Food that thawed (whether partially or completely) must not be re-frozen until it has been thoroughly cooked.</li> <li>■ Touch the Alarm button again.</li> </ul> <p>The power outage  indicator goes out.</p>
<p><b>The display shows "F1" to "F5".</b></p>	<p>The appliance has a fault.</p>	<ul style="list-style-type: none"> <li>■ Contact Miele Technical Service.</li> </ul>

## Frequently asked questions


Interior lighting		
Problem	Possible cause	Solution
<b>The interior lighting is not working.</b>	The interior lighting automatically switches off if the door has been open for approx. 15 minutes. If that is not the reason, then there is a problem.	<ul style="list-style-type: none"><li>■ Contact Miele Technical Service.</li></ul> <p>The LED lighting may only be repaired by Miele. There are current-carrying parts behind the light cover. Risk of injury or damage to the appliance!</p> <div style="border: 1px solid gray; padding: 5px;"><p>The light cover must not be removed! If the cover is damaged or absent due to damage –</p><p><b>Caution!</b> Do not examine the light (class 1M laser radiation) with optical instruments (magnifying glass, etc.)!</p></div>

# Frequently asked questions

---

Additional problems		
Problem	Possible cause	Solution
<b>Food has frozen together or to the wall.</b>	The food packaging was not dry when loaded in the freezer.	■ Use a blunt instrument (such as a spoon handle) to carefully pry them apart.
<b>The appliance cannot be turned off.</b>	The safety lock is activated. The  indicator on the control panel is on.	■ Turn the safety lock off (see "Settings - Turning the safety lock on and off").

## Frequently asked questions

Problems with the ice cube maker		
Problem	Possible cause	Solution
<b>The ice cube maker will not turn on.</b>	The appliance is not connected to the power supply or is not turned on.	<ul style="list-style-type: none"> <li>■ Plug in the power cord and turn the appliance On.</li> </ul>
<b>The ice cube maker does not produce any ice cubes.</b>	The appliance or the ice cube maker is not turned on.	<ul style="list-style-type: none"> <li>■ Turn the appliance and the ice cube maker on.</li> </ul>
	The water supply line is not open.	<ul style="list-style-type: none"> <li>■ Open the water supply.</li> </ul>
	The freezer drawers are not closed properly.	<ul style="list-style-type: none"> <li>■ Close both freezer drawers properly.</li> </ul>
	The temperature in the freezer section is too high.	<ul style="list-style-type: none"> <li>■ Select a lower temperature.</li> </ul>
<b>If the indicator light of the Ice cube maker  flashes.</b>	The ice cube maker is not being supplied with water.	<ul style="list-style-type: none"> <li>■ Check if the shut off valve of the water supply is opened.</li> </ul>
<b>The ice cubes have an unpleasant odor or flavor</b>	The ice cube maker is not used very often. Ice cubes that are stored for a long period can absorb the taste and smell of other items.	<ul style="list-style-type: none"> <li>■ Remove all ice cubes from the drawer.</li> </ul>
	There are unsealed packages in the freezer section. Ice can absorb the taste and smell of unsealed food.	<ul style="list-style-type: none"> <li>■ Store only sealed food in the freezer section.</li> </ul>
	The ice cube drawer is dirty	<ul style="list-style-type: none"> <li>■ Clean the ice cube drawer.</li> </ul>

# Noises

Normal noises	What causes them
<b>Brrrrr...</b>	This noise may get louder for brief periods when the motor kicks on.
<b>Blub, blub....</b>	A gurgling noise can be heard when the refrigerant circulates through the pipes.
<b>Click....</b>	Clicking sounds occur whenever the thermostat turns the motor on or off.
<b>Sssrrrrr....</b>	In multi-section and frost-free appliances, the movement of air circulating through the appliance can sometimes just barely be heard.
	In appliances with a water tank, a humming noise can be heard when the water pump is running.
<b>Crack...</b>	A cracking noise can be heard when the appliance materials expand.

Keep in mind that a certain amount of noise is unavoidable (from the compressor and the refrigerant circulating through the system).

Noises that you can easily eliminate	Possible cause	Solution
<b>Rattling, clinking</b>	The appliance is not level.	Realign the appliance using a level, by raising or lowering the screw feet underneath the appliance.
	The appliance is touching another appliance or piece of furniture.	Move it away.
	Drawers, baskets or shelves are jiggling or are stuck.	Check all removable items and refit them correctly.
	Bottles or containers are touching.	Separate them.
	The transport cord clips are still hanging on the back of the appliance.	Remove the cord clips.

In the event of a fault which you cannot correct yourself, please contact

– your Miele dealer

or

– Miele Technical Service.

See back cover of the this manual contact details.

When contacting Miele Technical Service, please quote the model and serial number of your appliance. This information is given on the data plate inside your appliance.

### Warranty

For additional information, please refer to your warranty booklet.

See the end of these operating and installation instructions for this telephone number.

### MieleCare

(USA only)

**MieleCare**, our Extended Service Contract program; gives you the assurance of knowing that your appliance investment is covered by 5 years of worry-free ownership.

**MieleCare** is the only Extended Service Contract in the industry that guarantees repairs by a Miele Authorized Service Provider using genuine Miele parts. Only genuine Miele parts installed by factory-trained professionals can guarantee the safety, reliability and longevity of your Miele appliance.

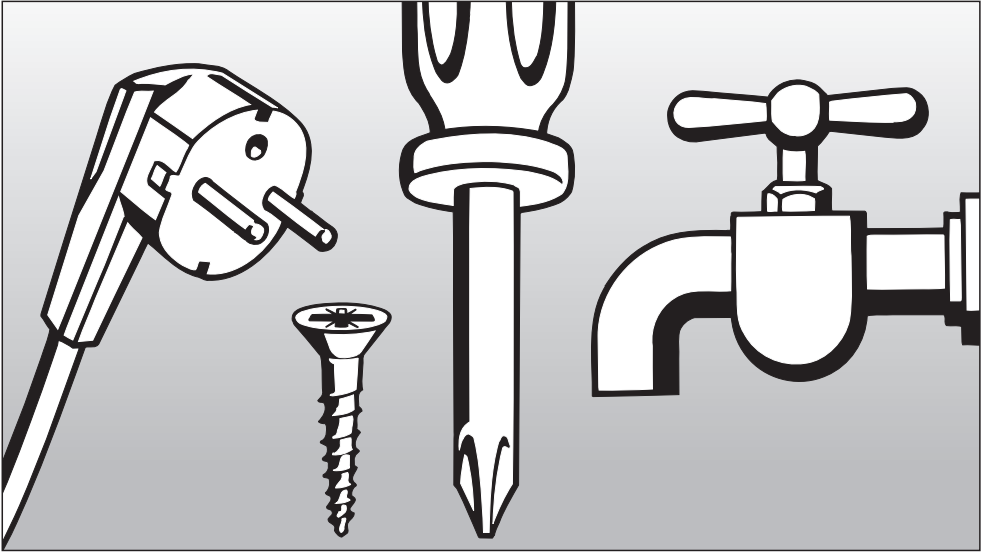
Please note that unless expressly approved in writing by the Miele Service department, Extended Service Contracts offered by other providers for Miele products will not be recognized by Miele. Our goal is to prevent unauthorized (and untrained) service personnel from working on your Miele products, possibly doing further damage to them, you and/or your home.

To learn more about **MieleCare** Extended Service Contracts, please contact your appliance dealer or visit us online at:

**<http://www.mieleusa.com/Service/ExtendedContracts>**







## Installation Instructions

Information is subject to change. Please refer to our website to obtain the most current product specification, technical & warranty information.

To prevent accidents  
and machine damage  
read these instructions  
**before**  
installation or use.

# Caring for the environment

---

## Disposing of the packaging materials

The packaging is designed to protect the appliance from damage during transportation. The packaging materials used are selected from materials which are environmentally friendly for disposal and should be recycled.

Ensure that any plastic wrappings, bags, etc. are disposed of safely and kept out of the reach of children. Return the packaging to your dealer.

## Disposal of your old appliance

Old appliances may contain materials that can be recycled. Please contact your local recycling authority about the possibility of recycling these materials.

Please take care not to damage the pipework while the appliance is being stored for transport to a waste disposal facility.

By protecting the pipework, you help keep the coolants and compressor oil from contaminating the environment.

Before discarding an old appliance disconnect it from the electrical supply and cut off the power cord to prevent it from becoming a hazard.

Safe operation of the appliance is only assured if it has been installed and connected in accordance with these Operating and Installation Instructions.

## WARNING!

Danger of tipping! To avoid a hazard secure the appliance in accordance with these instructions.

## WARNING!

This appliance is very heavy and can tip forwards when the door / freezer drawers are open. Keep the appliance door shut until the appliance has been installed and secured in the cabinetry in accordance with these Operating and Installation Instructions. The appliance should be installed with the assistance of another person.

This fridge/freezer combination should not be installed side-by-side with another fridge/freezer combination. The appliance does not have heated side walls, a side-by-side arrangement can lead to a build-up of condensation water.

## Location

The appliance should not be installed directly next to a heat source (such as a range or a heater) or under a window in direct sunlight. The higher room temperature, the more energy the appliance requires to operate. Most suitable is a dry, well-ventilated room.

The following should also be taken into consideration:

- The plug must be easily accessible and not concealed behind the appliance so that the appliance can be quickly disconnected from the electrical supply in an emergency. In addition, no other appliances should be plugged into a socket located directly behind this appliance.
- The power cord must not come into contact with the back of the appliance, it could be damaged by vibrations from the appliance resulting in a short circuit.

## Important! When there is high

**humidity** there can be a build-up of condensation on the outer surfaces of the appliance. This can cause the surfaces to corrode.

To prevent this, install the appliance in a dry and/or an air-conditioned room with sufficient ventilation. Please ensure that doors are closing and sealing properly after installation and that the appliance is installed in accordance with these installation instructions and with the required ventilation openings.

# Installation Information

---

## Climate class

The appliance is designed for use within a certain climate range (room temperature range) and should not be used outside this range. The climate range is specified on the data plate inside the appliance.

Climate class	Room temperature
SN	50 °F to 90 °F (+10 °C to +32 °C)
N	61 °F to 90 °F (+16 °C to +32 °C)
ST	61 °F to 100 °F (+16 °C to +38 °C)
T	61 °F to 109 °F (+16 °C to +43 °C)

If the room is too cold, it will cause the cooling system in the appliance to remain off for too long. This can cause the temperature in the appliance to rise, resulting in damage.

## Installation niche

Before installing the appliance, the cabinet must be carefully aligned using a level. The cabinet corners must be at a 90° angle to one another, otherwise the cabinet door will not be flush with all 4 corners of the cabinet. The sidewalls of the installation niche must be even.

## Niche floor

To ensure that the appliance is installed safely and to assure all the functions, the floor of the niche where the appliance is to be installed must be even and horizontal.

It must be made from strong, rigid material.

The appliance is extremely heavy when fully loaded, and for this reason it is imperative that the floor it stands on is able to bear its weight. If in doubt, contact Miele.

When fully loaded, the approx. weight of the appliance is 1200 lbs (544 kg).

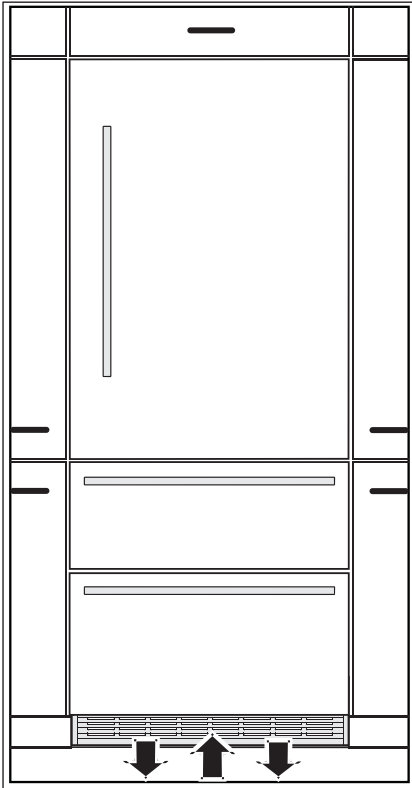
## Adjacent furniture/units

The new appliance will be mounted securely to adjacent furniture/fixtures. For this reason, it is essential that all furniture/fixtures be connected securely to the ground and/or wall.

## Door hinge

The appliance is supplied with fixed hinges. If the door needs to be hinged on the opposite side, contact Miele.  
Do NOT change the door hinging yourself!

## Proper ventilation



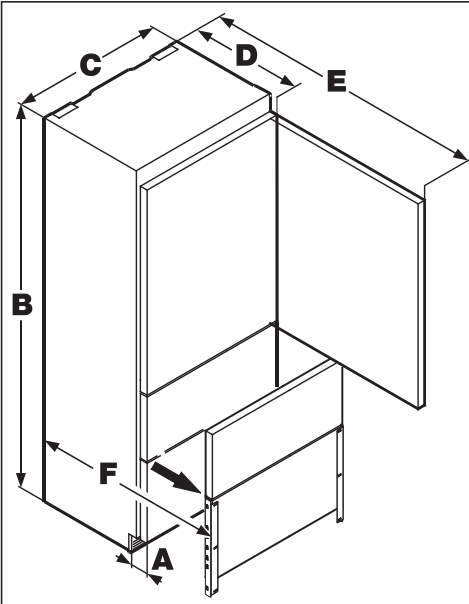
Use only the matching base cover with the ventilation slits!  
If there is insufficient ventilation, the compressor will run more often and over a longer period of time. This results in higher energy consumption and a higher compressor temperature which can damage the compressor.

This appliance does not require ventilation openings in the surrounding cabinetry. Proper ventilation is ensured through the ventilation slits at the base of the appliance.

**WARNING!** Danger of damage from overheating. May restrict operation. Keep ventilation openings, in the appliance enclosure or in the built-in structure, clear of obstruction.

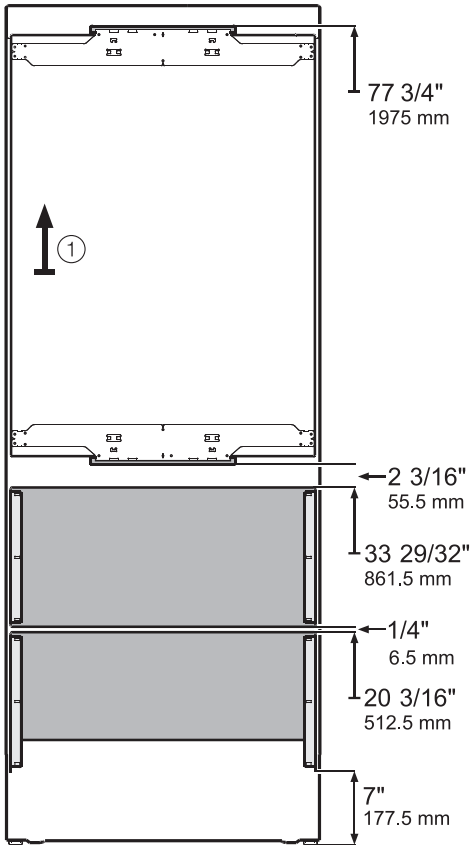
# Installation Dimensions

Before installation, ensure the building-in niche is the correct size. The specified ventilation cross-sections must be adhered to in order to ensure the correct functioning of the appliance.



	<b>A</b>	<b>B</b>	<b>C</b>	<b>D</b>	<b>E</b>	<b>F</b>
<b>KFN 9855 iDE</b>	3" (76 mm)	79 13/16" (2,027 mm)	29 13/16" (757 mm)	24" (610 mm)	55 5/8" (1,413 mm)	37 1/2" (952 mm)

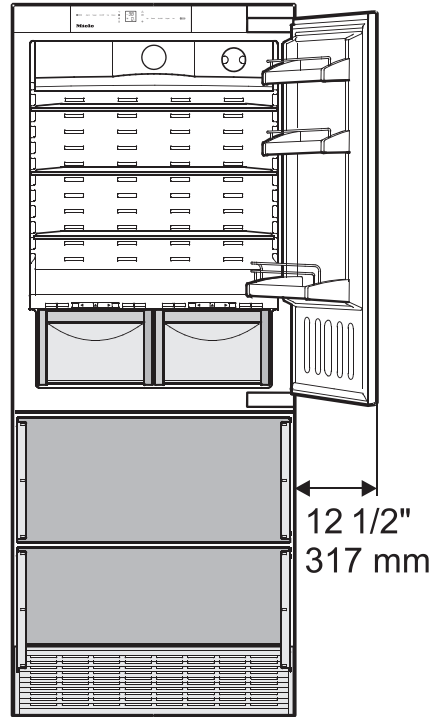
# Installation Dimensions



① This dimension line indicates the height measured from the floor.

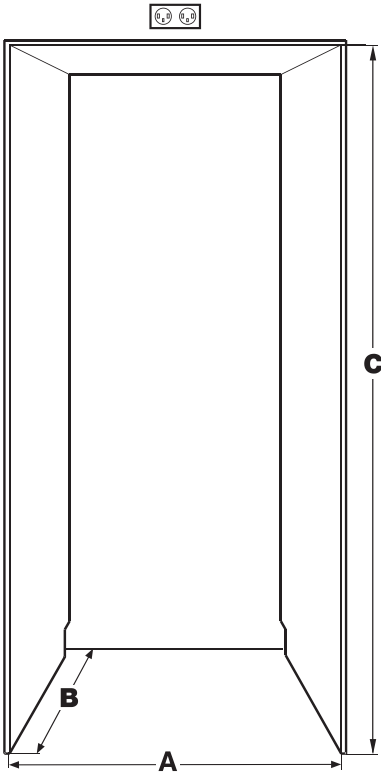
## Opening angle of the door

Ensure that there is sufficient space at the installation location for the door to open wide enough.



These measurements do not take the cabinet front and the door handle into account; they must be added on accordingly.

# Niche Dimensions



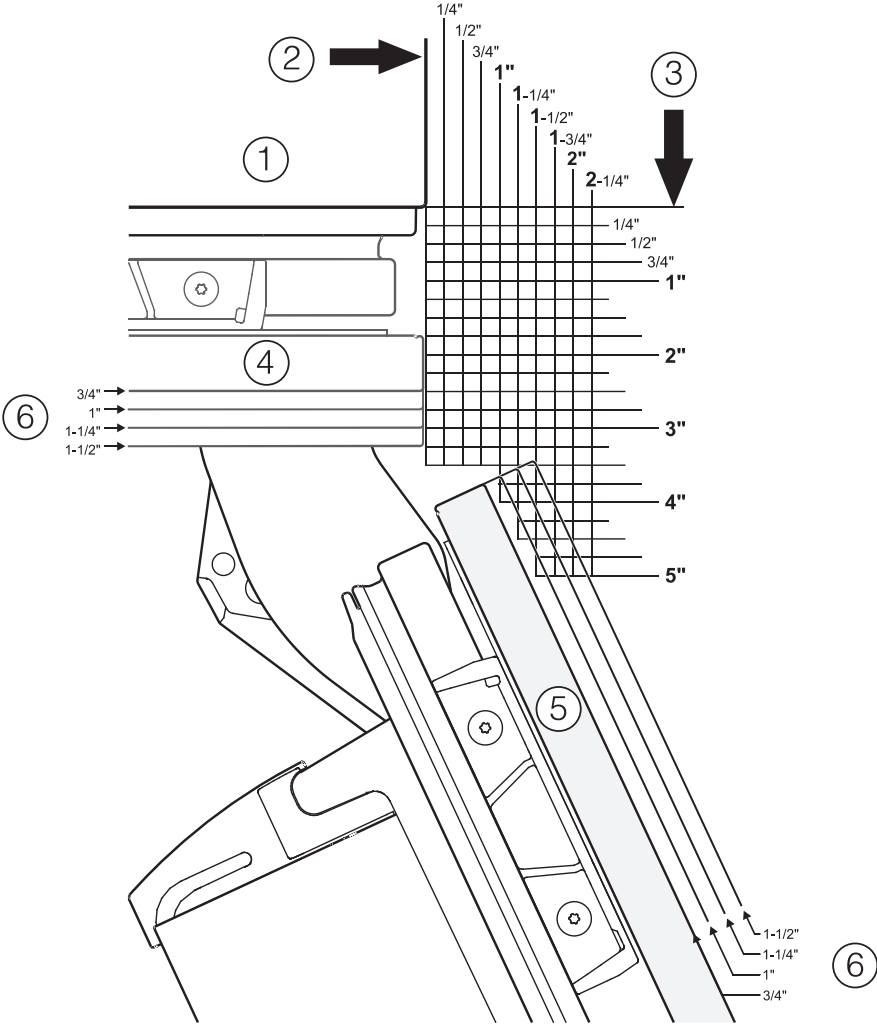
The location of the electrical outlet can be within a radius of 80" from the appliance top center. Do not install the electrical outlet **behind** the appliance!

<b>A</b> <b>Cabinet Width</b>	<b>B</b> <b>Inset cabinet Depth</b>	<b>B</b> <b>Frameless/Face frame cabinet Depth</b>	<b>C</b> <b>Cabinet Height</b>
30" (762 mm)	24" (610 mm) + panel thickness	24" (610 mm)	80" (2,032 mm)

If you wish for the appliance panel to be flush with adjacent cabinetry, the adjacent cabinetry depth must equal appliance depth 24" (610 mm) plus panel thickness 5/8" – 3/4" (16 mm - 19 mm).

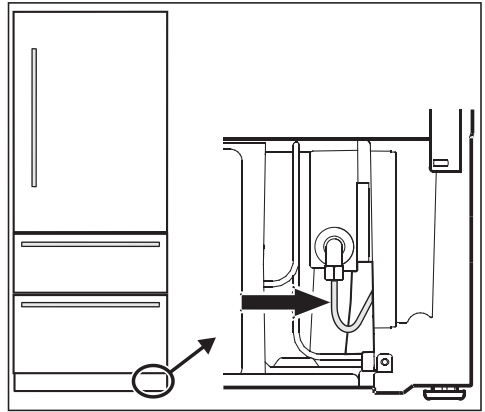
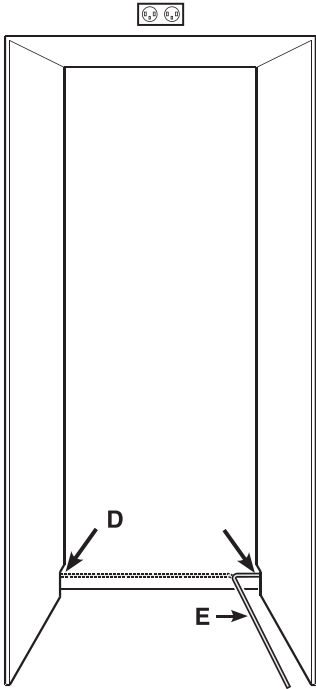


# Door Swing Clearance



- ① Top view
- ② Right side wall of appliance housing
- ③ Front of appliance housing
- ④ Front panel - door closed
- ⑤ Front panel - door opening angle = 115°
- ⑥ Panel thickness

# Planning the Water Connection



Water line feed-in (**D**) from left or right above the anti-tipping bracket.

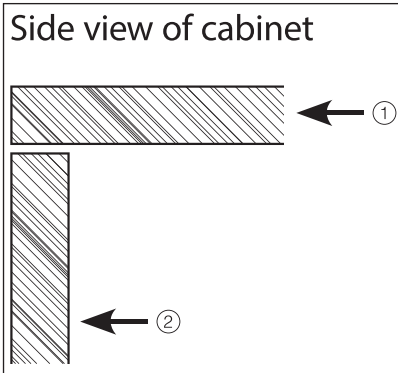
Do not install the shut-off valve behind the appliance!

The water line lead-through for the water supply line (**E**) is at the bottom right of the appliance:

# Information Concerning the door panel

## Inset installation

Appliance and panels sit fully within the opening and are flush with what could be its own box, between two pantry cabinets or decorative columns, etc. This is the most common installation scenario.

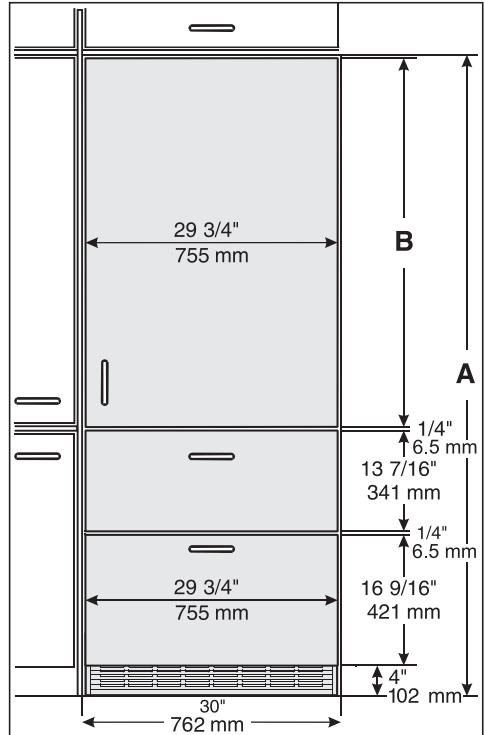


- ① Cabinet frame
- ② Door panel

Stainless steel front panels are available through Miele.

### Please take into account the following information concerning the door panel:

- The panels should be at least 5/8" (16 mm) thick to allow the connecting rails to be fastened to them.
- The maximum panel thickness is 3/4" (19 mm).
- The door panel weight must not exceed 60 lb (27 kg).

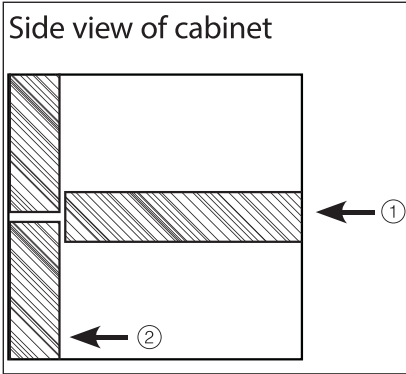


Cabinet opening A	Refrigerator door panel B
80" (2,032 mm)	45 1/4" (1,150 mm)

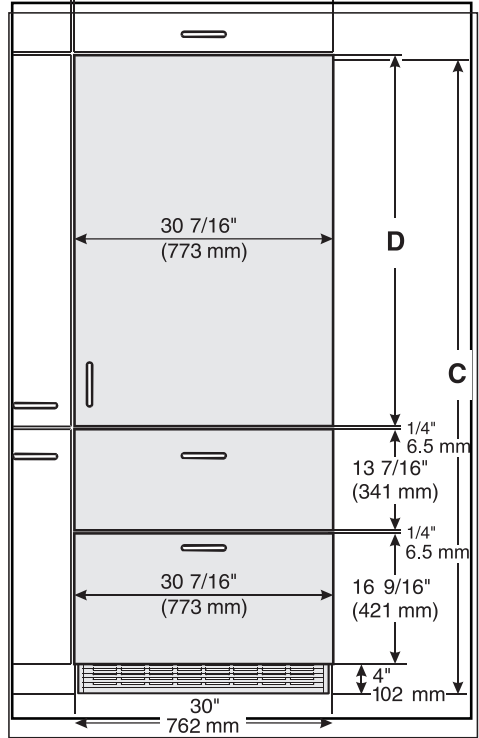
# Information Concerning the door panel

## Frameless installation

With this installation style, wider appliance panels partially overlay the shared side gables of adjacent cabinetry so as to mimic the look of a frameless style cabinet.



- ① Cabinet frame
- ② Door panel



**Please take into account the following information concerning the door panel:**

- The panels should be at least 5/8" (16 mm) thick to allow the connecting rails to be fastened to them.
- The maximum panel thickness is 3/4" (19 mm).
- The door panel weight must not exceed 60 lb (27 kg).

Cabinet opening C	Refrigerator door panel D
80" (2,032 mm)	45 3/4" (1,162 mm)

# Installing the Appliance

## Installing the Appliance



### Warning!

This appliance is very heavy and can tip forwards when the door is open.

- Before installation, take any accessories out of the appliance and/or off the back of the appliance.
- Remove any cable clips from the back of the appliance.
- Check that all the parts on the back of the appliance can move freely. Carefully bend any attached components out of the way.

To protect the floor from damage when installing the appliance,

- fasten a left-over piece of flooring (e.g. linoleum) to the floor in front of the installation area.

## Installing the anti-tip brackets

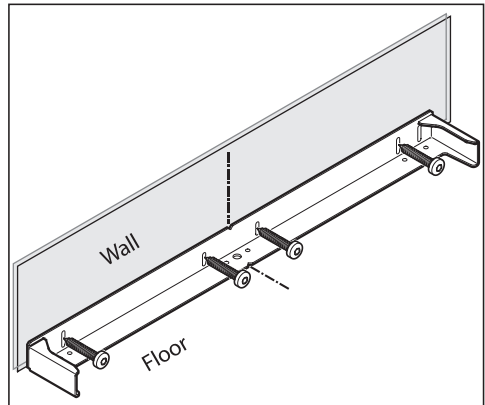
The anti-tip brackets keep the appliance safely secured in the installation niche and prevent tipping.

Make sure that there is no plumbing or electrical in the installation area that could be damaged by screws.



### Important!

The anti tip bracket must be installed at the same height as the toe kick area. If you set the appliance to a higher level by laying spacers underneath, the anti tip bracket must be fitted accordingly.

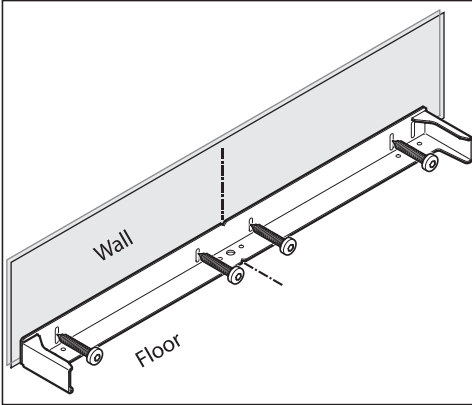


- Mark the center line of the appliance on the back wall of the installation niche. The center of the anti-tip bracket must be aligned with this line.

# Installing the Appliance

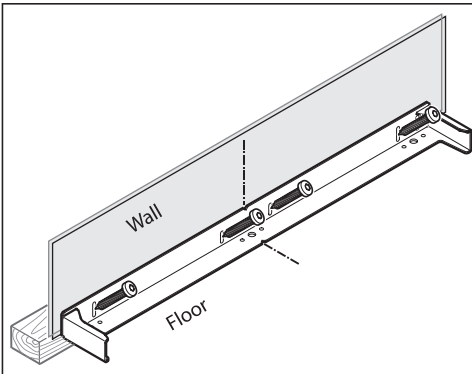
- Depending on the floor and walls of the room, select the installation method for the bracket from the following options: A, **B**, C or D.

**A**



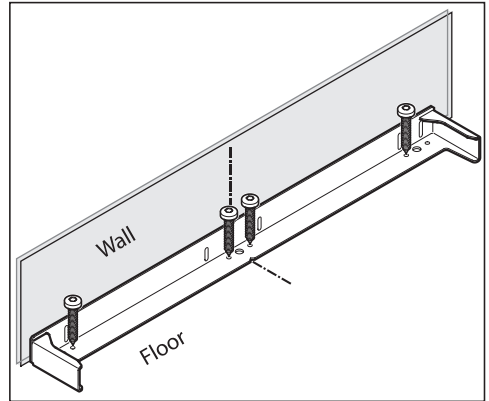
- Securing to a drywall base (screws: 1/4" x 2 1/2") (6 x 63 mm)
- Securing to a concrete wall using screw anchors (screws: 1/4" x 2 1/2") (6 x 63 mm)

**B**



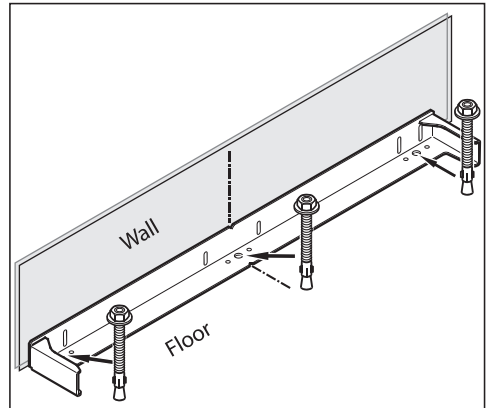
- Securing with angular positioning of the screws (1/4" x 2 1/2") (6 x 63 mm)

**C**



- Securing to a wooden floor (screws: 1/4" x 2 1/2") (6 x 63 mm)

**D**



- Securing to a concrete floor using the supplied concrete anchors.

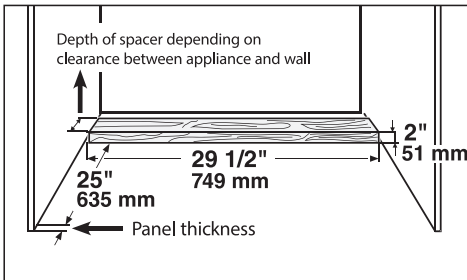
# Installing the Appliance

## Installation of the anti-tip bracket in a cabinet with a depth greater than 25" (635 mm)

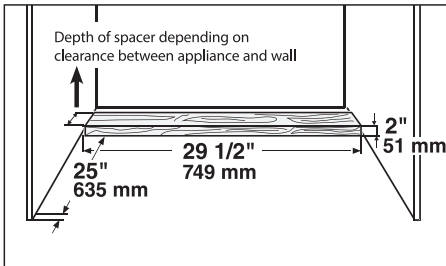
The anti-tip bracket assures proper functioning up to a cabinet depth of 24" - 25" (610-635 mm). If the cabinet is deeper than 25" (635 mm), a wooden spacer is required between the back wall of the niche and the appliance.

The spacer must be secured to the floor.

### Position of the spacer in a normal cabinet



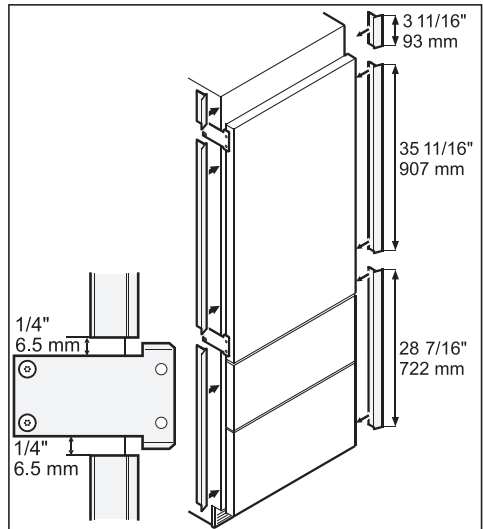
### Position of the spacer in a frameless cabinet



The anti-tip bracket must be level after installation even if the floor is not level. Install the wooden spacer in an appropriate position.

## Fastening the covers

Install the adhesive covers above, between and under the mounting plates on the sides of the appliance.

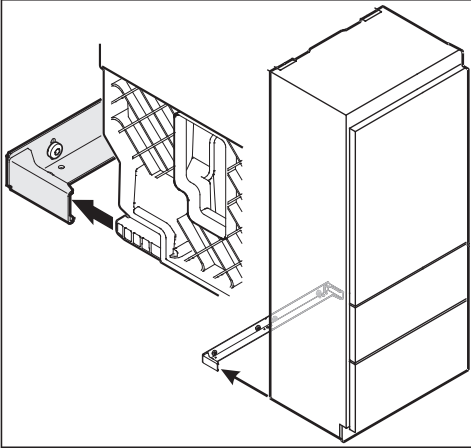


- Cut the covers to the required length (see illustration).
- Fasten the covers keeping a 1/4" (6 mm) clearance from the mounting plates.

# Installing the Appliance

## Pushing the appliance into the niche

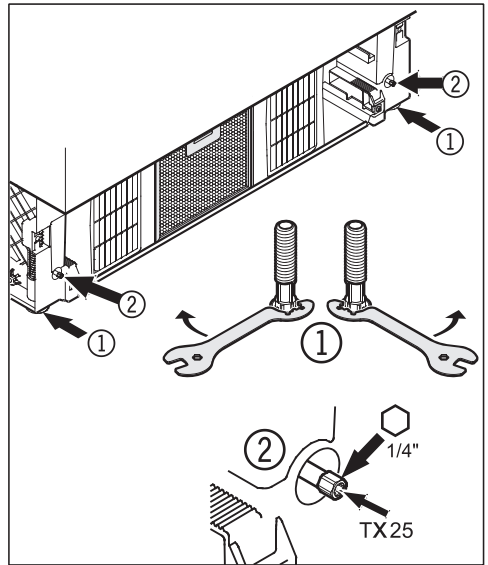
Prepare the water and electrical connections.



- Gently push the appliance into the niche until the back of the appliance slides into the anti-tip bracket.

Take care not to damage the power cord and plumbing.

## Aligning the appliance



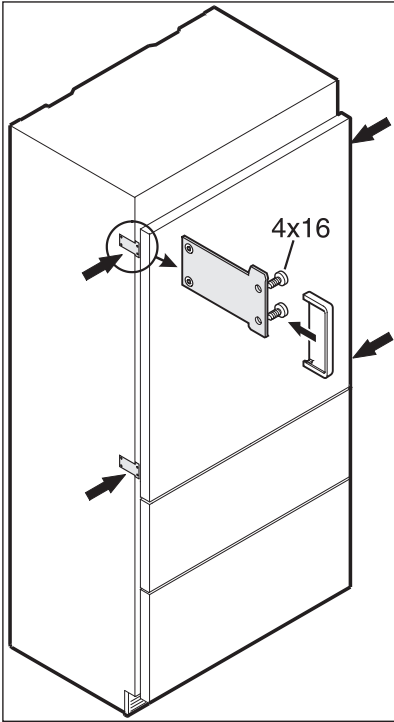
- Use the supplied wrench to adjust the front feet so that the appliance is level (1).
- Using a screw driver or the supplied Allen key, turn the adjustment rods to adjust the back of the appliance until it is level (2).

All feet must rest firmly on the floor so that the appliance cannot tip forwards!



# Installing the Appliance

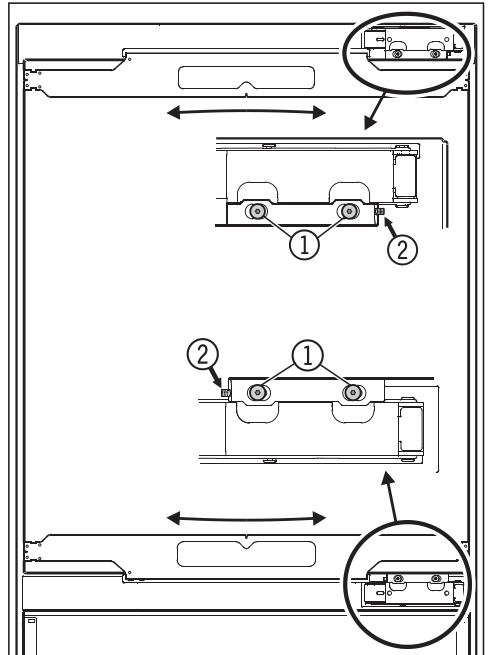
## Securing the appliance in the niche



- Push the hinged side of the appliance to the cabinet wall.
- Connect the appliance to the cabinetry by screwing the particle-board screws 1/4" x 3/4" (4 x 16 mm) through the pre-mounted brackets.
- Now attach the covers to the mounting plates.

## Aligning the appliance door

The appliance comes with the door properly aligned. Realignment may be necessary if the door is heavily loaded.



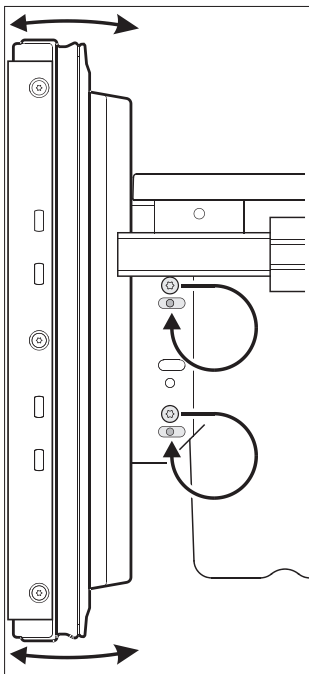
- Loosen the screws ①.
- Align the door by turning the headless screws ② with the supplied Allen wrench.
- Then tighten the screws ①.

# Installing the Appliance

## Aligning the drawer front

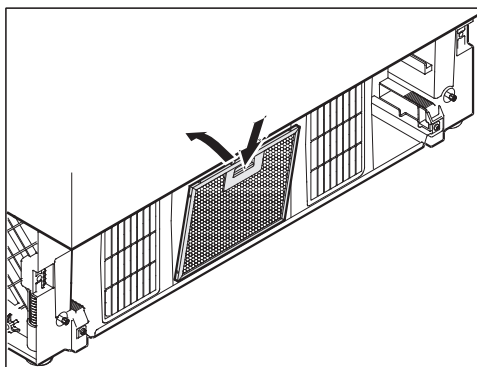
You can adjust the fronts of the freezer drawers if necessary.

### Side view of the freezer drawer open

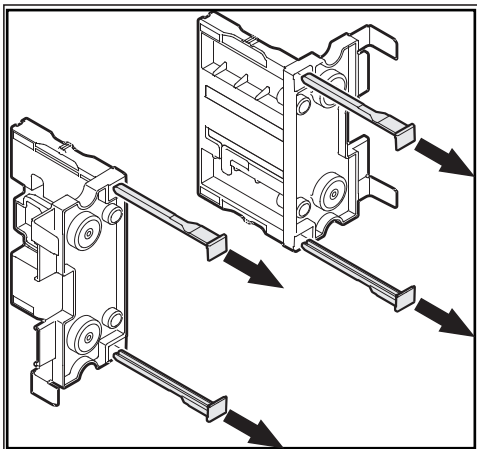


- On both sides, remove the screws and put them in the long holes below.
- Align the drawer front.
- Then tighten the screws.

## Install the base cover with the ventilation slits

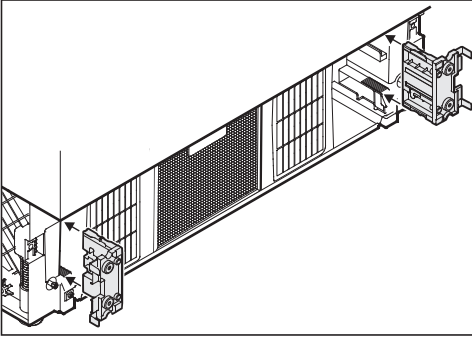


- Remove the lower freezer drawer.
- Remove the blue protective film from the supplied air filter.
- Insert the air filter into the opening in the base. Push the latch down and engage it.

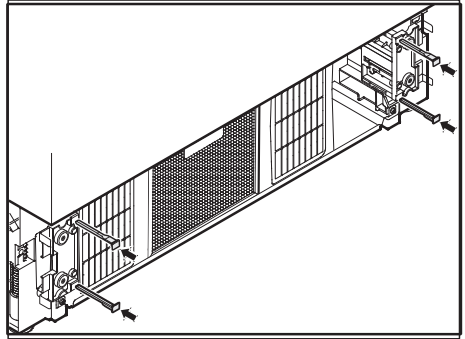


- Remove the locking pins from the supplied retainers.

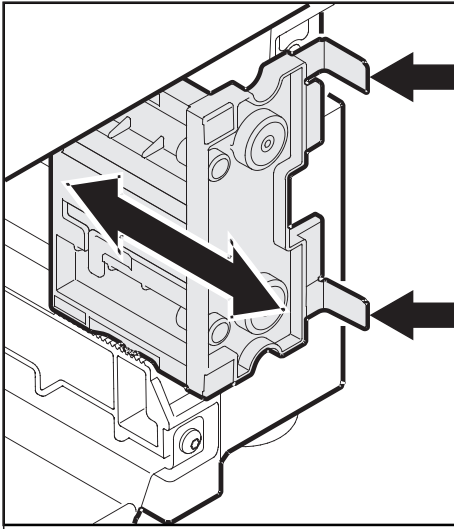
## Installing the Appliance



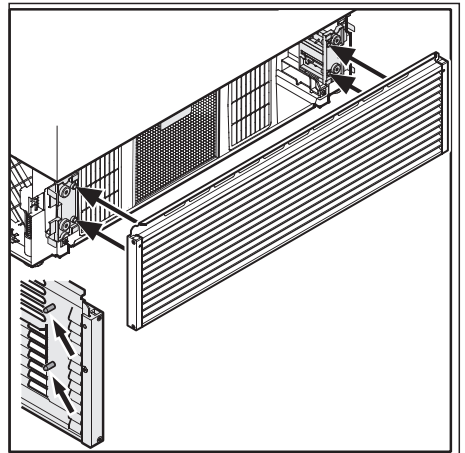
- Insert the base cover retainers on both sides into the appliance housing.



- Insert the locking pins on both sides to secure the retainers in the appliance housing.

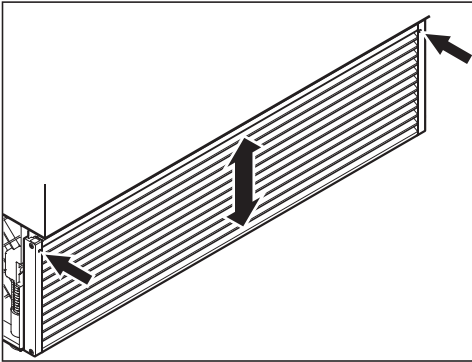


- The face end of the angles on the retainers must be flush with the front of the toe-kick cover. If this is not the case, adjust the retainers according to the depth.



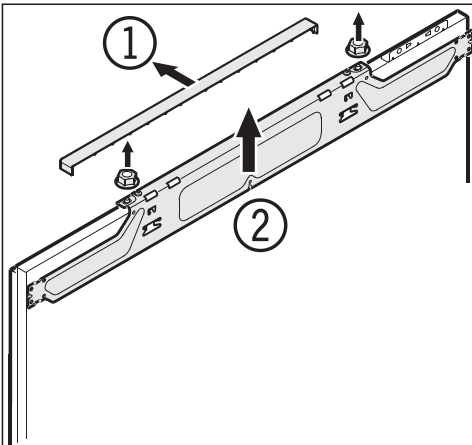
- Now install the base cover with the ventilation slits. There are two fastening bolts on each side of the base cover (see illustration detail). These fastening bolts must be inserted into the retainer holes.

# Installing the Appliance



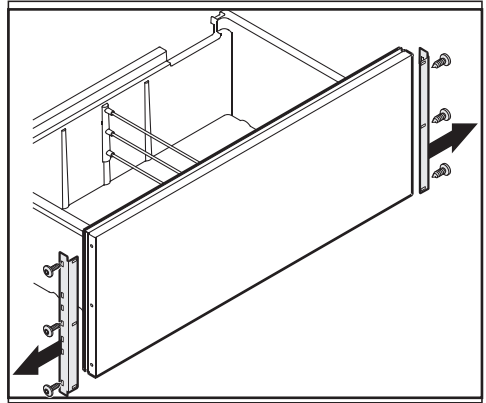
- To adjust the toe-kick height, first loosen the headless screws at the cover front and adjust the cover height.
- Then tighten the headless screws.

## Removing the mounting rails



- Remove the cover strip ① and the upper ② and lower mounting rails of the refrigerator door.
- You will need these nuts for fastening the custom door panel to the refrigerator door.

Both mounting rails will later be fastened to the door panel of the refrigerator door.



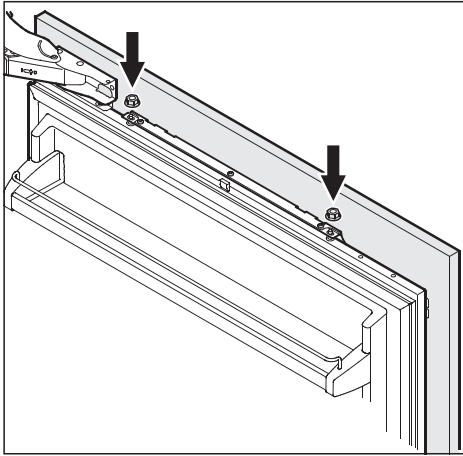
- Remove the cap covers and loosen the screws on both sides.
- Remove the mounting rails on the sides of both freezer drawers.

These mounting rails will later be installed on the door panel of the freezer drawers.

- You will need the nuts for fastening the door panel to the freezer drawers.

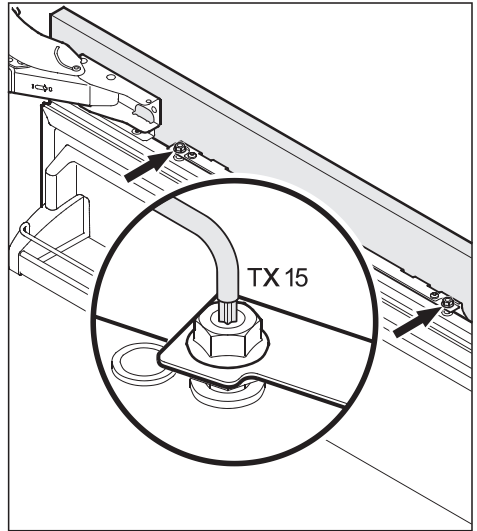


# Installing the Appliance



- Open the refrigerator door and hang the door panel from above onto the adjustment bolts.
- Loosely screw the nuts onto the adjustment bolts.
- Close the appliance door and check the distances to the adjacent door panels.

## Aligning the door panel

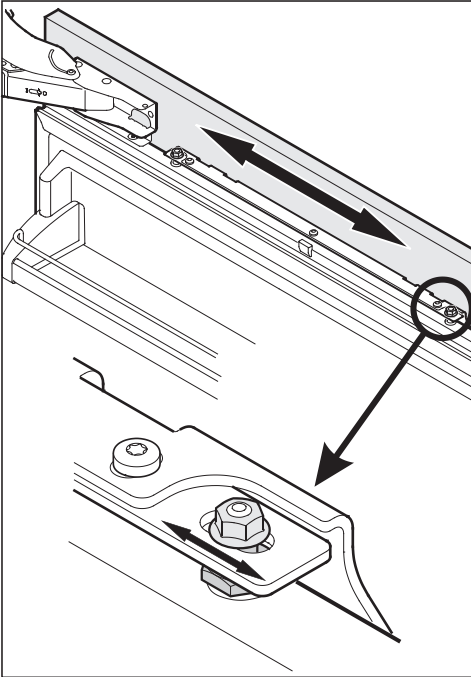


To vertically align the door panel with the adjacent cabinet doors,

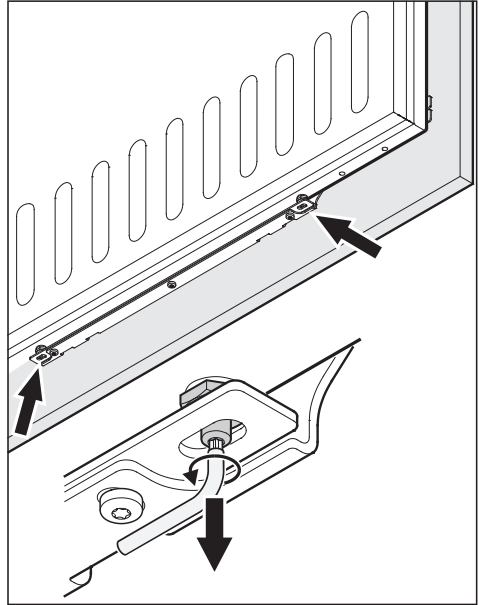
- loosen the nuts again and adjust the respective adjustment bolts.

## Installing the Appliance

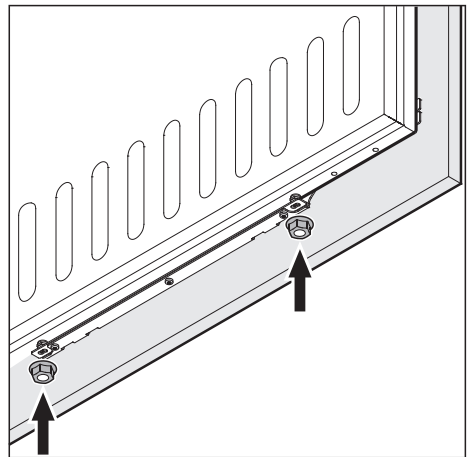
To horizontally align the door panel with the adjacent cabinet doors,



- slide the door panel to the respective side (via the long holes in the mounting rails).
- Tighten the nuts.



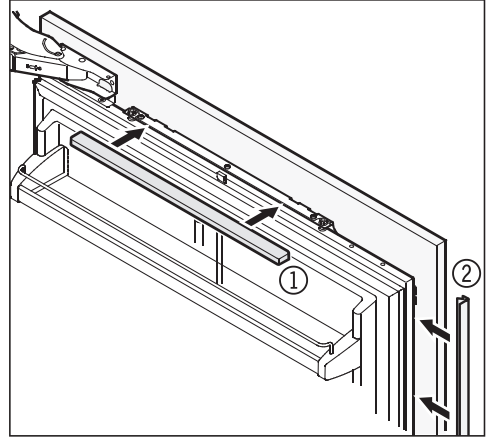
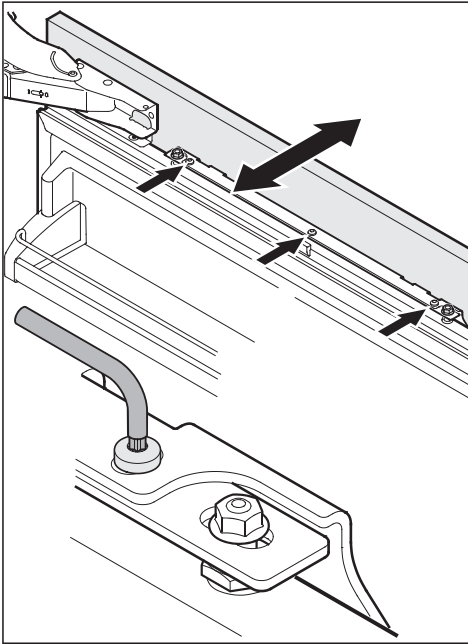
- Tighten the adjustment bolts on the lower side of the appliance door until the mounting rail sits tight on the appliance door.



- Screw the nuts onto the adjustment bolts and tighten them.

# Installing the Appliance

To adjust the depth of the door panel,

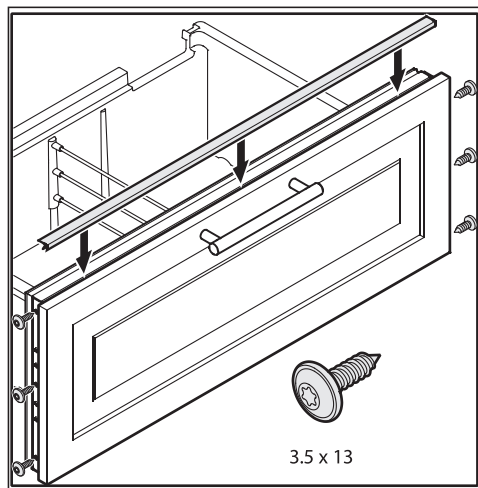


- Attach the upper cover piece ①.
- Attach the supplied seals ② between appliance door and door panel.

- loosen the three screws located on the upper side of the upper mounting rail. Now you can adjust the depth of the door panel.
- Then tighten the screws.
- If necessary, do the same on the lower mounting rail.



## Installing the door panels on the freezer drawers



- Pull the upper freezer drawer out and affix both sides of the door panel with the screws 1/8" x 1/16" (3.5 x 13 mm).
- Close the freezer drawer and check the distance from the surrounding door panels.

To vertically align the door panel with the adjacent cabinetry doors,

- loosen the screws on both sides and adjust the position of the door panel.
- Then tighten the screws.

Be careful not to over-tighten the screws. Do not use a electric screwdriver.

- Now do the same on the lower freezer drawer.
- When finished, close the gap between the freezer drawer and the door panel with the supplied adhesive seal.
- Remove the protective foil from the adhesive side of the seal and stick the seal onto the upper edge of the freezer drawer. Make sure that the seal is properly positioned in the gap.

# Plumbing

---

## Information regarding the water connection

All plumbing work should be carried out by a suitable qualified person, in accordance with local and national regulations.

Disconnect the appliance from the power supply before connecting it to the water supply.

Before connecting the water hose for the ice cube maker, ensure the water supply is completely turned off

The water being used should meet the drinking water standards of the country where the machine is used.

All devices used for connecting the appliance to the water supply must comply with the current national and local safety regulations in the country in which the appliance is being installed.

All units and systems used to supply water to the appliance must also comply with the applicable requirements of the respective country.

## The appliance must be connected to a cold water line that:

- is directly connected to the fresh water supply in order to ensure a circulation of the water in the cold water line.

Avoid using a water line in which the water is allowed to pool. This can affect the taste of water and ice cubes.

- withstands the operating pressure.
- fulfills the hygiene regulations.

The water pressure must be between 22 and 87 psi (1.5 and 6 bar).

A shut-off valve must be provided between the water line and the water supply of the building to ensure that the water supply can be cut off if necessary.

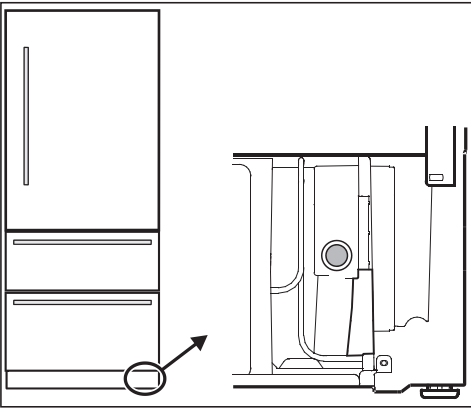
The water supply should be easily accessible after the machine has been built in.

Before commissioning, the water line needs to be vented by a qualified technician:

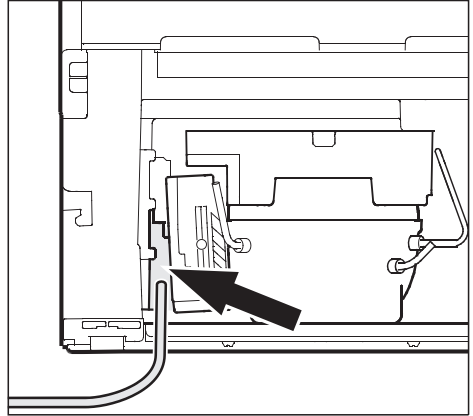
## Connecting the water supply

Before any installation or maintenance work is performed be sure the appliance is disconnected from the electrical supply.


The water connection can be found at the front of the appliance:



- Gently push the appliance into the desired location. Leave enough space behind the appliance for connecting the water supply.



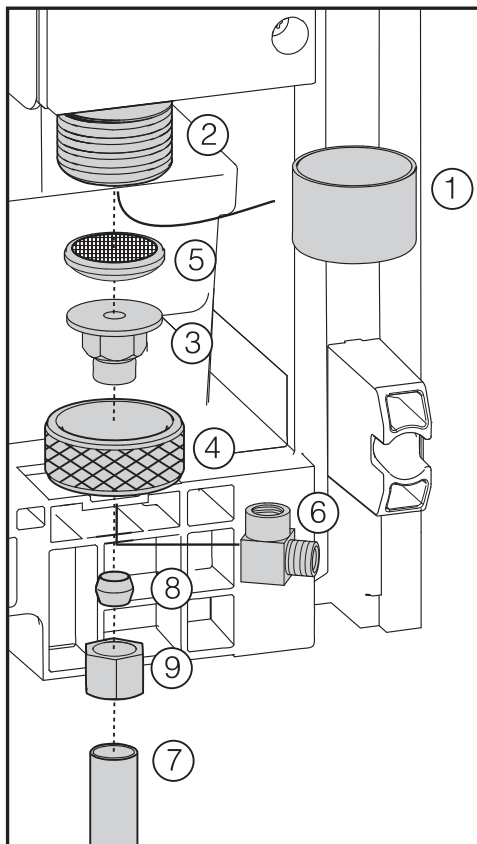
- Lay the water line to the appropriate location at the back of the appliance.
- At the same time feed the electrical cord from the back of the appliance out of the installation niche.

 Do not plug the cord into the outlet until the water connection is completed.

- Gently push the appliance into the niche until the back of the appliance slides into the anti-tip bracket (see "Installing the appliance".)

# Plumbing

The solenoid valve ② can be found at the front of the appliance. It has a 3/4" connection thread (the position of the solenoid valve as shown in the picture may differ from your appliance).



The connection parts included with the appliance permit the connection of various water lines (a water line is not included in delivery).

- Remove the cap ① from the solenoid valve ②.
- Insert the adapter ③ into the union nut ④.

⚠ In the following, please note: inserting the water filter incorrectly can cause damage!

- Place the water filter ⑤ on top of the adapter ③ as shown in the picture.

⚠ Do not over-tighten the union nut, damage can result!

- Connect the union nut ④ to the solenoid valve ② and tighten it.
- If you want to divert the water line by 90°, screw on the elbow ⑥.
- Vent the air from the water line by opening the water supply temporarily.

## In case of a water line with a 1/4" thread:

- Connect the water line ⑦ (e.g., copper) using the clamping ring ⑧ and the nut ⑨ on the adapter ③ or elbow ⑥.

## In case of a water line with a 7/16" 24-UNS thread:

- Connect the water line ⑦ directly to the adapter ③ or elbow ⑥ (a clamping ring ⑧ and nut ⑨ are not required).
- Slowly open the water shut-off valve and check for leaks.


- The appliance can now be connected to the power supply (see "Electrical connection").
- Slide the appliance into the desired position.

When doing so, make sure that the water line does not get kinked or damaged.

Caution! Risk of damage to the ice cube maker! During the operation of the ice cube maker, do not interrupt the water supply.

## Electrical connection


---


 Failure to follow these instructions can result in death, fire, or electrical shock.

Improper connection of the equipment grounding conductor may result in electric shock. If you are in any doubt as to whether the appliance has been properly grounded, have the appliance checked by a qualified electrician or service technician.

Installation, repairs and other work by unqualified persons could be dangerous. The manufacturer will not be held responsible for damage or injury arising from unauthorized work.

Before installing the appliance, verify that the voltage, load and circuit rating information found on the data plate match the household electrical supply.

 To guarantee the electrical safety of this appliance, continuity must exist between the appliance and an effective grounding system. It is imperative that this basic safety requirement be met. If there is any doubt, have the electrical system of the house checked by a qualified electrician.

 This appliance is equipped with a three-prong grounding plug to prevent shock hazards. It should be plugged directly into a properly grounded outlet. Do not cut or remove the grounding prong from the plug. If the plug does not fit the outlet, have the proper outlet installed by a licensed electrician. Do not use extension cords or ungrounded (two prong) adapters.

Connect this appliance to a 110 – 120 VAC, 60 Hz and 15 amp (20 amp for side-by-side) circuit with a circuit breaker or fuse.

This appliance must be grounded according to local or national codes.

The appliance must be connected to an electrical outlet that is properly grounded. The electrical installation must comply with the applicable electrical code.

The plug must be easily accessible and not concealed behind the appliance so that the appliance can quickly be disconnected from the electricity supply in an emergency. In addition, no other appliances should be plugged into a socket located directly behind this appliance.

The power cord must not come into contact with the back of the appliance, as they could be damaged by vibrations from the appliance. This may result in a short circuit.

Do not use an extension cord to connect the appliance to the power supply. Extension cords do not guarantee the required safety of the appliance (e.g. they pose a danger of overheating).

Do not connect the appliance to stand-alone inverters, such as those used with an autonomous energy source, **e.g. solar power systems**. Otherwise, when the appliance is switched on, peak loads in the system can cause the safety shutdown mechanism to be triggered. This can damage electronic units. In addition, the appliance must not be used with **energy-saving devices**, which reduce the amount of energy supplied to the appliance and cause it to overheat.

If the power cord needs to be replaced, this work must only be performed by a qualified electrician.









Please have the model and serial number of your appliance available before contacting Technical Service.

---



**U.S.A.**  
**Miele, Inc.**

**National Headquarters**

9 Independence Way  
Princeton, NJ 08540  
Phone: 800-843-7231  
609-419-9898  
Fax: 609-419-4298  
[www.mieleusa.com](http://www.mieleusa.com)

**Technical Service & Support**  
**Nationwide**

Phone: 800-999-1360  
Fax: 888-586-8056

[TechnicalService@mieleusa.com](mailto:TechnicalService@mieleusa.com)

**Canada**  
**Miele Limited**

**Headquarters and Showroom**

161 Four Valley Drive  
Vaughan, ON L4K 4V8  
Phone: 800-643-5381  
Fax: 905-532-2290  
[www.miele.ca](http://www.miele.ca)  
[professional@miele.ca](mailto:professional@miele.ca)  
(commercial enquiries)

**MieleCare National Service**

Phone: 800-565-6435  
905-532-2272  
Fax: 905-532-2292  
[customercare@miele.ca](mailto:customercare@miele.ca)  
(general and technical enquiries)



[www.miele-shop.com](http://www.miele-shop.com)

KFN 9855 iDE



en - US, CA

M.-Nr. 10 203 400 / 02